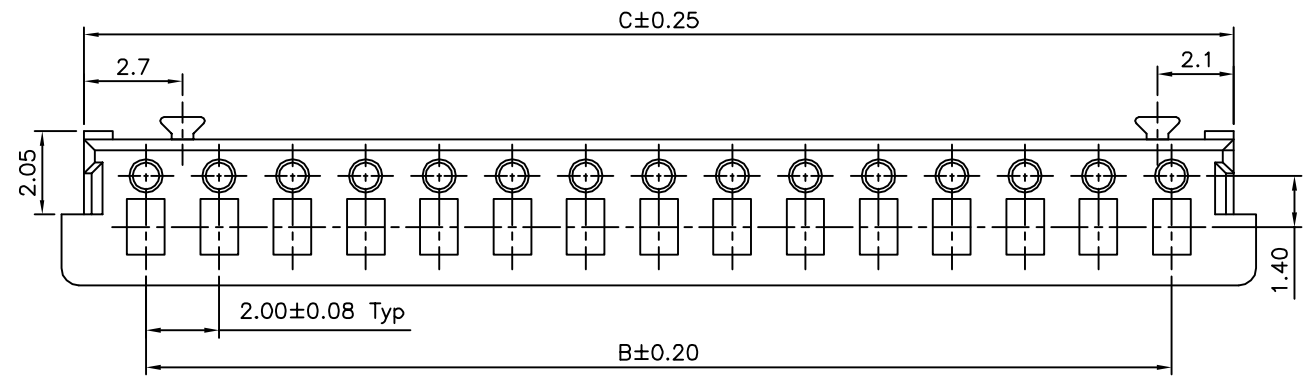
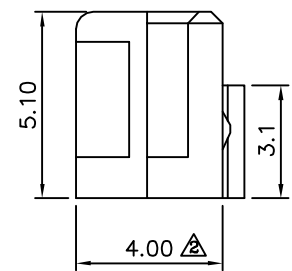
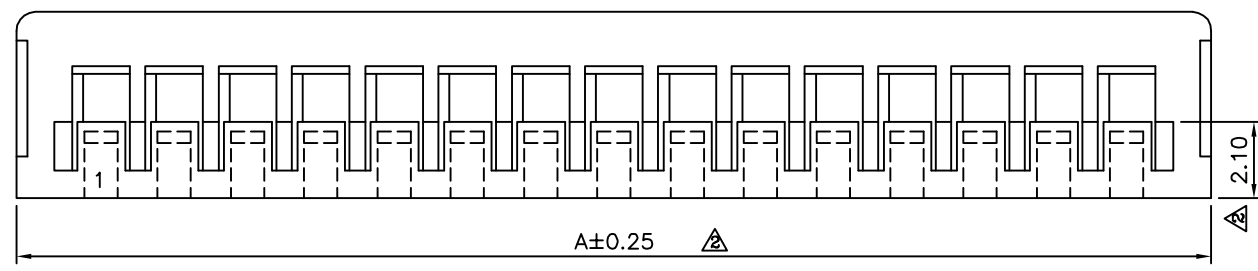


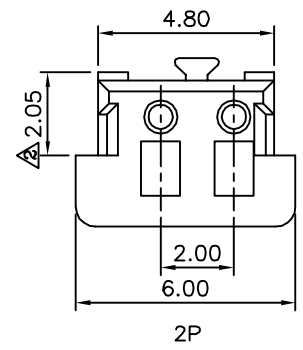
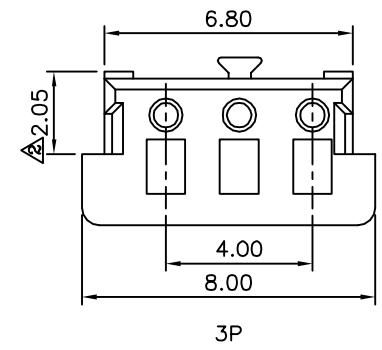
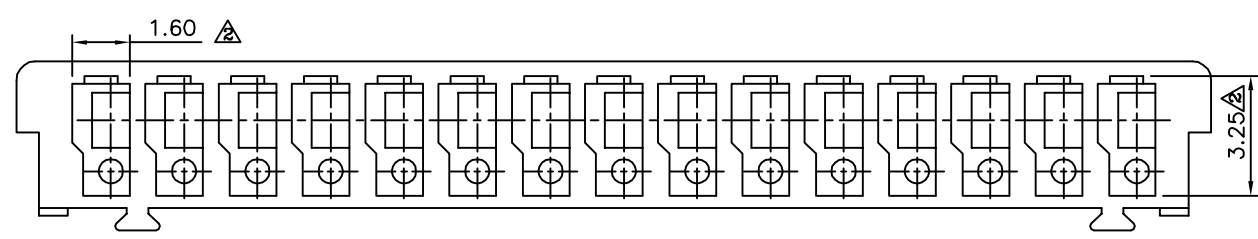
△ SPECIFICATION
 Insulator:PA66(UL94V-0)
 RoHS Compliant



△ 4P~15P



| Pin | A | B | C |
|-----|-------|-------|-------|
| 2 | 6.00 | 2.00 | 4.80 |
| 3 | 8.00 | 4.00 | 6.80 |
| 4 | 10.00 | 6.00 | 8.80 |
| 5 | 12.00 | 8.00 | 10.80 |
| 6 | 14.00 | 10.00 | 12.80 |
| 7 | 16.00 | 12.00 | 14.80 |
| 8 | 18.00 | 14.00 | 16.80 |
| 9 | 20.00 | 16.00 | 18.80 |
| 10 | 22.00 | 18.00 | 20.80 |
| 11 | 24.00 | 20.00 | 22.80 |
| 12 | 26.00 | 22.00 | 24.80 |
| 13 | 28.00 | 24.00 | 26.80 |
| 14 | 30.00 | 26.00 | 28.80 |
| 15 | 32.00 | 28.00 | 30.80 |



4UCON 元化興業股份有限公司
 4UCON TECHNOLOGY INC.

| | | | | |
|-------------|------|-------------|----|--|
| DRAWING No. | | APPROVED BY | | UNLESS OTHERWISE SPECIFIED TOLERANCES ARE .X ±0.25 .XX ±0.15 .XXX ±0.08 |
| 11552 | | EMILY | | |
| | | CHECKED BY | | |
| | | HZF | | |
| | | DRAWING BY | | UNIT mm |
| | | YBL | | |
| SCALE | NONE | REV. | A3 | |

| NO. | REV. | REVISIONS | CHK | DATE |
|------|------|-------------|--------|------------|
| △ A3 | | Modify Data | HZF | 11/06/2013 |
| △ A2 | | Modify Data | HZF | 09/28/2011 |
| △ A1 | | Modify Data | INGRID | 12/11/2007 |
| △ A0 | | NEW RELEASE | | |