

**Specification:**

Current Rating: 2A

Dielectric Withstanding Voltage: AC 1000V For 1 Minute.

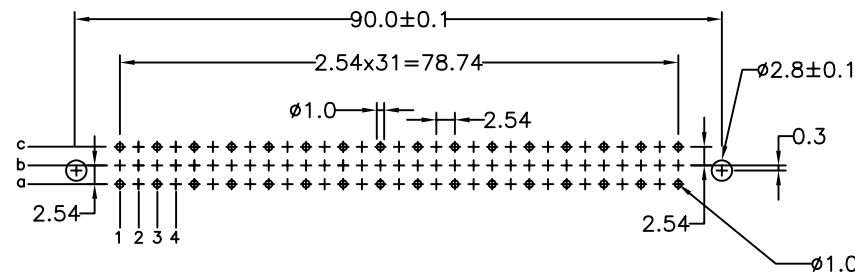
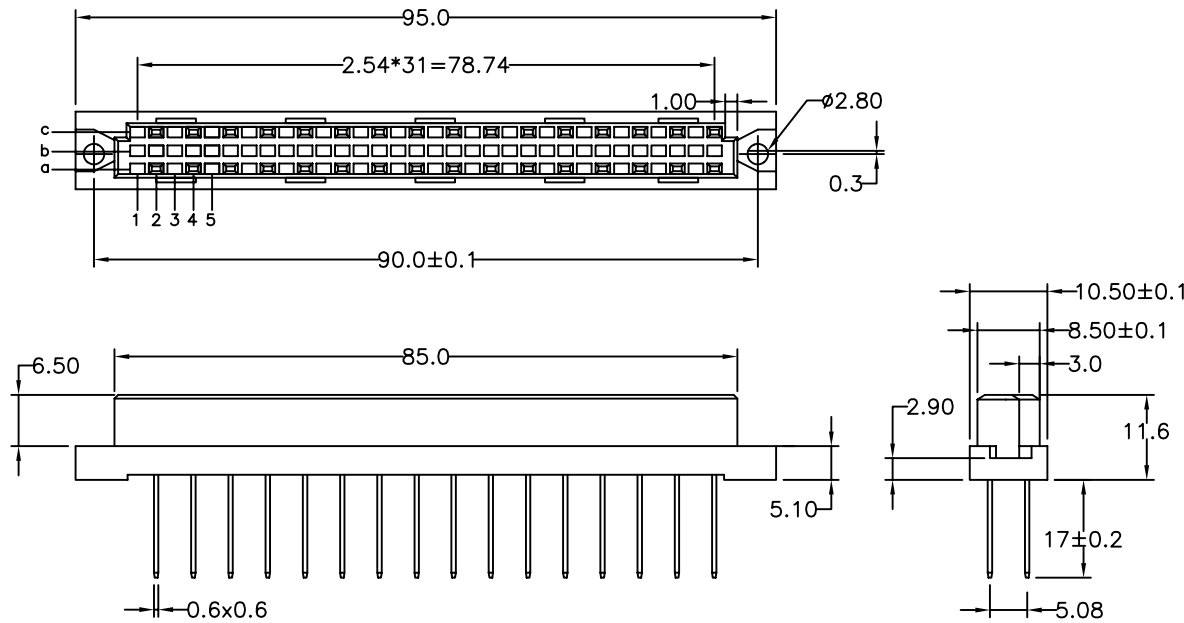
Insulator Resistance: 1000M Ohms Min. At DC 500V

Contact Resistance: 30m Ohms Max. At DC 100mA

Operating Temperature: -55°C to +105°C

Contact Mating Force: 65g Max.

Contact Unmating Force: 30g Min.



P.C.Board Layout

Pitch	position	Rows with Contacts	Contact Arrange
2.54mm	96	a b c	
	64	a - c	
	32	a - -	
5.08mm	48	a b c	
	32	a - c	
	16	a - -	

**4UCON** 元化興業股份有限公司  
4UCON TECHNOLOGY INC.

DRAWING No.

11987

APPROVED BY

MEI

CHECKED BY

RAN

DRAWING BY

HZF

UNLESS OTHERWISE SPECIFIED TOLERANCES ARE

.X ±0.1

.XX ±0.05

.XXX ±0.01

SCALE

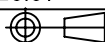
NONE

REV.

A

UNIT

mm



NO.REV.

REVISIONS

CHK

DATE