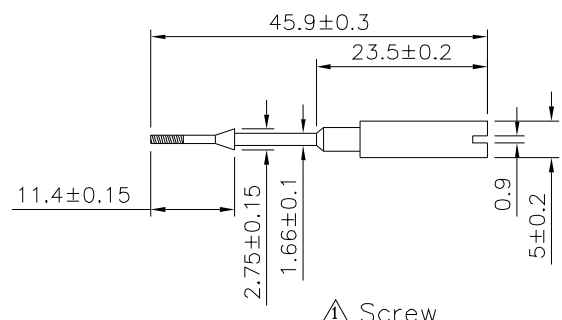
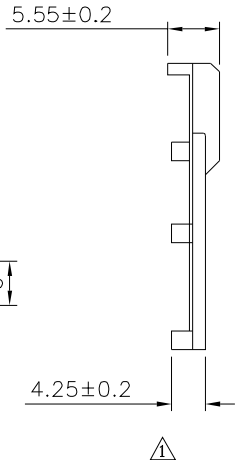
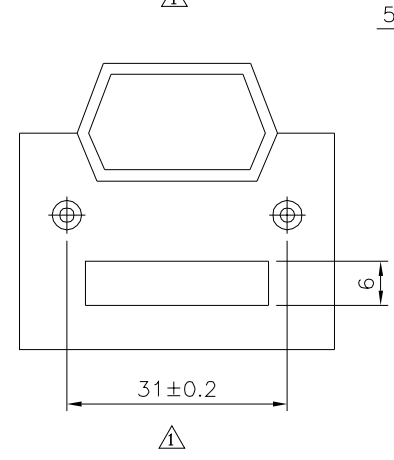
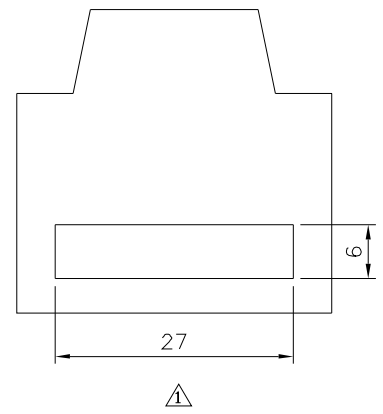
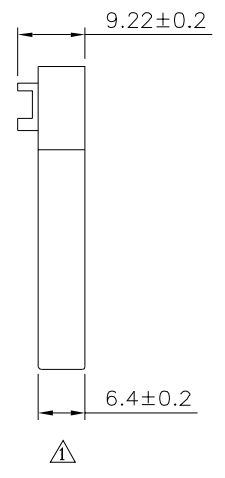
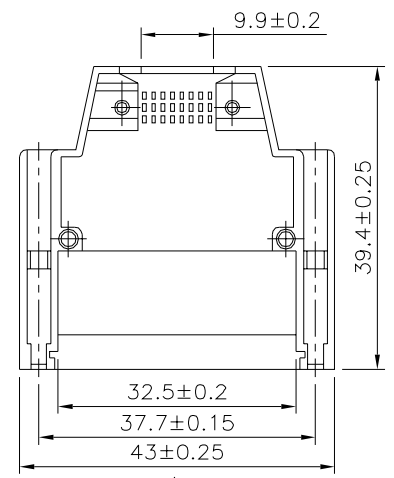


SPECIFICATION
 Backshell: Zinc Alloy, Nickel Plated Over Copper
 Screw: Nickel Plated Over Copper
 RoHS Compliant



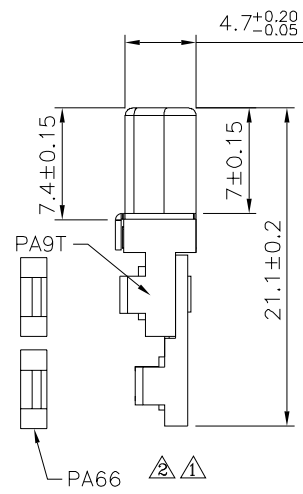
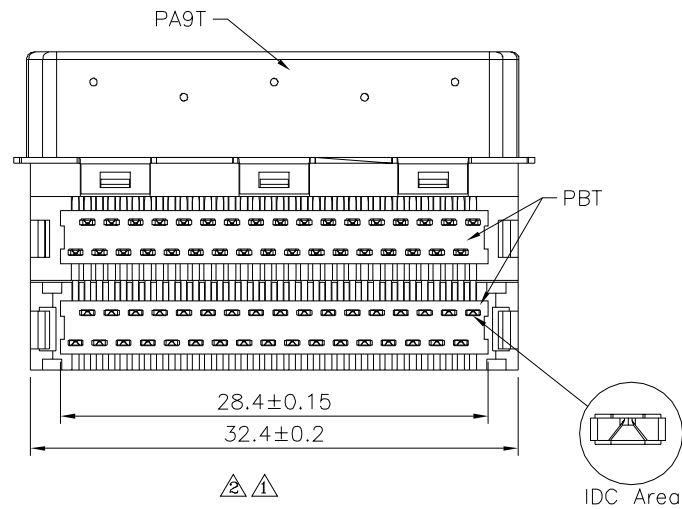
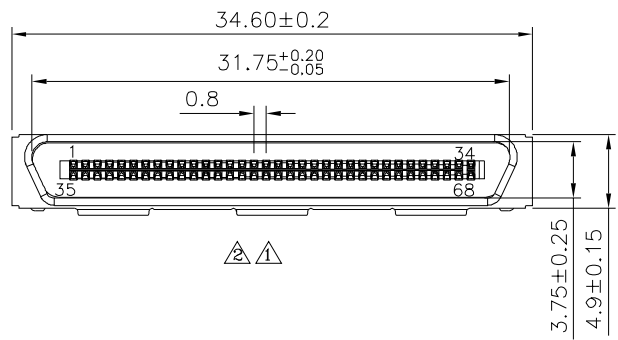
Referral Torque=2kgf-cm~2.5 kgf-cm

4UCON 元化興業股份有限公司
 4UCON TECHNOLOGY INC.

DRAWING No.		APPROVED BY		UNLESS OTHERWISE SPECIFIED TOLERANCES ARE X. ±0.25 .X ±0.20 .XX ±0.15
12106		MEI		
		CHECKED BY HZF		
SCALE		REV.		UNIT
NONE		A2		mm

NO.	REV.	REVISIONS	CHK	DATE
△A2		Modify Data	HZF	12/15/2020
△A1		Modify Data	HZF	02/05/2010
△A0		NEW RELEASE	RAN	

△ SPECIFICATION
 Contact Current Rating:0.5 Amp
 Dielectric Withstanding Voltage:250V AC
 Insulation Resistance:500 Megaohms Min.
 Contact Resistance:80 Milliohms Max.
 Operation Temperature:-55°C~+85°C
 Insulator:Thermoplastic(UL94V-0)
 Contacts:Phosphor Bronze,Gold Plated On Mating End,
 Under Nickel All
 Shell:Steel,Nickel Plated Over Copper
 Compatible Cable:AWG #30(IDC Gap 0.17mm)
 RoHS Compliant



4UCON 元化興業股份有限公司
 4UCON TECHNOLOGY INC.

DRAWING No.		APPROVED BY		UNLESS OTHERWISE SPECIFIED TOLERANCES ARE X. ±0.25 .X ±0.20 .XX ±0.15 ANG. ±1°
12106		MEI		
		CHECKED BY	HZF	
SCALE	NONE	DRAWING BY	WZL	UNIT
		REV.	A2	mm

NO.	REV.	REVISIONS	CHK	DATE
△ A2		Modify Data	HZF	12/15/2020
△ A1		Modify Data	HZF	02/05/2010
△ A0		NEW RELEASE	RAN	