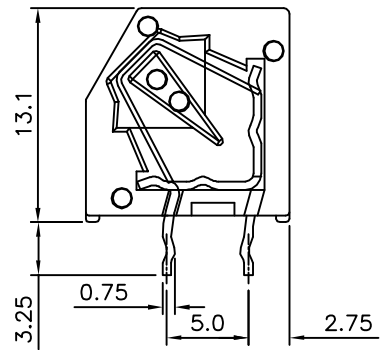
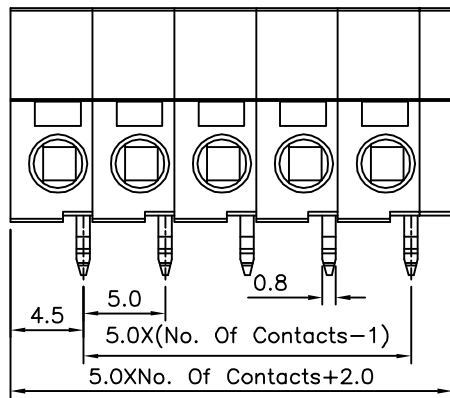
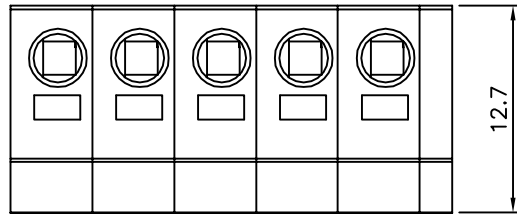


Recommended P.C.B. Layout



SPECIFICATION

Current Rating:10 Amp/Way Max.
 Voltage Rating:300V AC
 Withstand Voltage:2500V AC,Test Time=60s/1 PCS
 Contact Resistance:20 Milliohms Max.
 Insulation Resistance:5000 Megohms/1000V
 Operating Temperature:-40°C~+105°C
 Soldering Reliability:Test Temperature=250°C±10°C
 5 Seconds Max.
 Wire Range:14~22AWG
 Insulator Body:Polyamide+G.F.(UL94V-0),Grey
 Solder Pin:Copper Alloy,Tin Plated
 Spring Clamp:Stainless Steel
 RoHS Compliant

4UCON 元化興業股份有限公司
 4UCON TECHNOLOGY INC.

DRAWING No.		APPROVED BY		UNLESS OTHERWISE SPECIFIED TOLERANCES ARE X. ±0.50 .X ±0.30 .XX ±0.20 x. ±1°
12309		EMILY		
		CHECKED BY		
		HZF		
		DRAWING BY		
		GAO		
SCALE	NONE	REV.	A0	UNIT
				mm

NO.	REV.	REVISIONS	CHK	DATE
△ A0		NEW RELEASE	HZF	12/19/2011