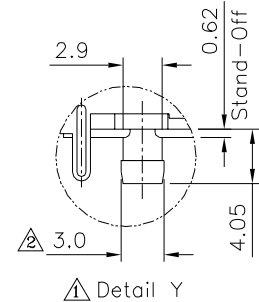
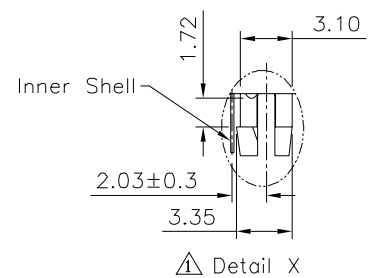
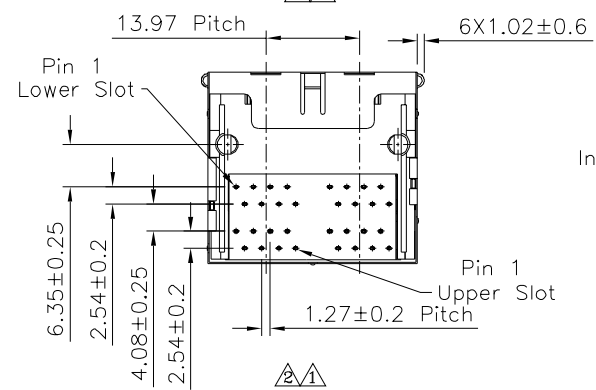
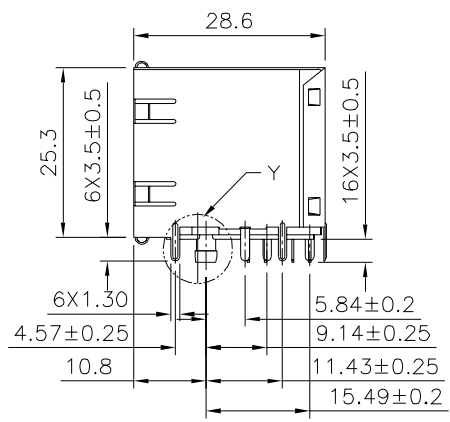
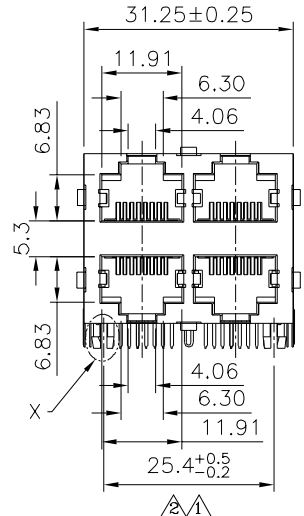


**SPECIFICATION**  
 Current Rating:1.5A Max.  
 Voltage Rating:150V AC Max.  
 Operating Temperature: -40°C~+85°C  
 Relative Humidity: 70% ±10%RH  
 Insulation Resistance:500 Megaohms Min. Initial  
 At 500V DC  
 Contact Resistance:20 Milliohms Max. Initial  
 30 Milliohms Max. Final  
 Durability:750 Cycles  
 Dielectric Withstanding Voltage:  
 1000V RMS, At 60Hz,1 Minute Between  
 Adjacent Contacts  
 1500V RMS, At 60Hz,1 Minute Between  
 Shield And Contacts  
 Housing:PBT+G.F(UL94V-0),Black  
 Insert Housing:PBT+G.F(UL94V-0),Black  
 Cover:PBT+G.F(UL94V-0),Black  
 Contact:Phosphor Bronze  
 Gold Plated 06u" On Contact Area,Gold  
 Flash On Other Area,Over Nickel  
 Shield:Brass,Nickel Plated  
 Cavity Conforms To FCC Rules And  
 Regulations Part 68,Subpart F.  
 RoHS Compliant

Recommended P.C.B. Layout(Top View)  
 Recommended PCB Thickness:1.6mm  
 (PCB Board Tolerance±0.05)



**4UCON** 元化興業股份有限公司  
 4UCON TECHNOLOGY INC.

DRAWING No.		APPROVED BY MEI		UNLESS OTHERWISE SPECIFIED TOLERANCES ARE .X ±0.25 .XX ±0.13 .XXX ±0.05
12930		CHECKED BY HZF		
SCALE NONE		DRAWING BY CYP		
REV.	A2	UNIT mm		

NO.	REV.	REVISIONS	CHK	DATE
A2		Modify Data	HZF	10/23/2019
A1		Modify Data	HZF	05/10/2014
A0		NEW RELEASE		