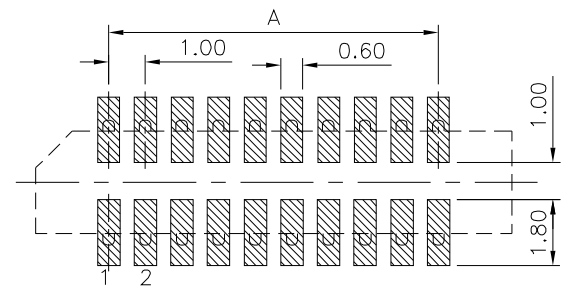
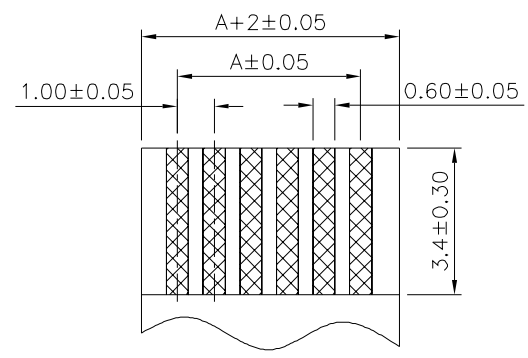


△△△ SPECIFICATION

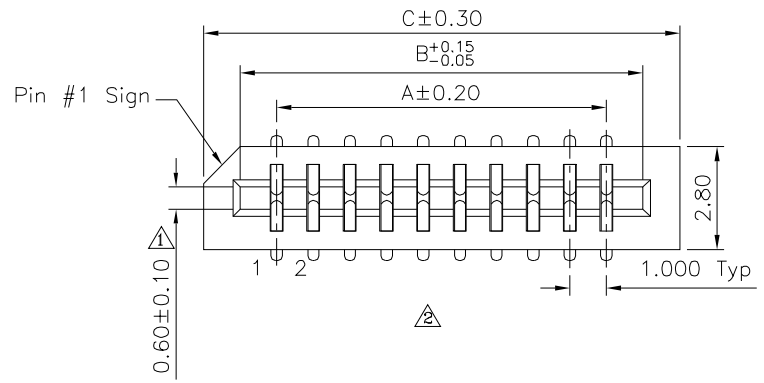
1. General Characteristics:  
1.0mm FPC XXP SMT 180° Non-ZIF Dual  
Contact Parallel Layout
2. Material & Finish:  
Insulator: PA9T(UL94V-0), Black  
Contact: Phosphor Bronze, Tin Plated Over Nickel
3. Electrical Characteristics:  
Current Rating: 0.5A Max.  
Voltage Rating: 50V AC  
Dielectric Withstanding Voltage: 500V AC For 1 Minute  
Contact Resistance: 30 Milliohms Max.(Initial)  
50 Milliohms Max.(Final)  
Insulation Resistance: 500 Megohms Min.(Initial)  
At 500 DC
4. Environmental Characteristics:  
Temperature Range: -20°C ~ +85°C
5. RoHS Compliant



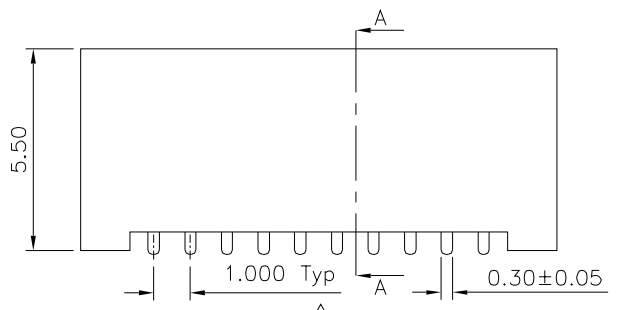
△ Recommended P.C.B. Layout  
PCB Tolerance ±0.05



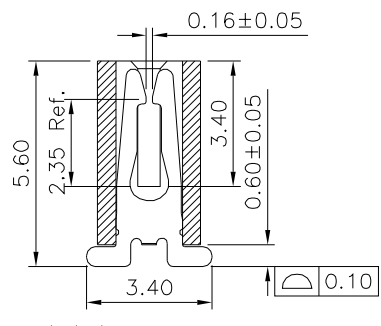
△ FPC/FFC T=0.30±0.05



△



△



△△△ Section A-A

△

| Pin | A     | B     | C     | Pin | A     | B     | C     |
|-----|-------|-------|-------|-----|-------|-------|-------|
| 3   | 2.00  | 4.10  | 6.00  | 17  | 16.00 | 18.10 | 20.00 |
| 4   | 3.00  | 5.10  | 7.00  | 18  | 17.00 | 19.10 | 21.00 |
| 5   | 4.00  | 6.10  | 8.00  | 19  | 18.00 | 20.10 | 22.00 |
| 6   | 5.00  | 7.10  | 9.00  | 20  | 19.00 | 21.10 | 23.00 |
| 7   | 6.00  | 8.10  | 10.00 | 21  | 20.00 | 22.10 | 24.00 |
| 8   | 7.00  | 9.10  | 11.00 | 22  | 21.00 | 23.10 | 25.00 |
| 9   | 8.00  | 10.10 | 12.00 | 23  | 22.00 | 24.10 | 26.00 |
| 10  | 9.00  | 11.10 | 13.00 | 24  | 23.00 | 25.10 | 27.00 |
| 11  | 10.00 | 12.10 | 14.00 | 25  | 24.00 | 26.10 | 28.00 |
| 12  | 11.00 | 13.10 | 15.00 | 26  | 25.00 | 27.10 | 29.00 |
| 13  | 12.00 | 14.10 | 16.00 | 27  | 26.00 | 28.10 | 30.00 |
| 14  | 13.00 | 15.10 | 17.00 | 28  | 27.00 | 29.10 | 31.00 |
| 15  | 14.00 | 16.10 | 18.00 | 29  | 28.00 | 30.10 | 32.00 |
| 16  | 15.00 | 17.10 | 19.00 | 30  | 29.00 | 31.10 | 33.00 |

**4UCON** 元化興業股份有限公司  
4UCON TECHNOLOGY INC.

|             |      |             |    |  |
|-------------|------|-------------|----|--|
| DRAWING No. |      | APPROVED BY |    | UNLESS OTHERWISE SPECIFIED TOLERANCES ARE<br>△ X. ±0.40<br>.X ±0.30<br>.XX ±0.20<br>.XXX ±0.10 |
| 12957       |      | MEI         |    |  |
|             |      | CHECKED BY  |    |  |
| HZF         |      | DRAWING BY  |    |  |
| CYP         |      | A3          |    | UNIT mm  |
| SCALE       | NONE | REV.        | A3 |  |

| NO. | REV. | REVISIONS   | CHK   | DATE       |
|-----|------|-------------|-------|------------|
| △A3 |      | Modify Data | HZF   | 09/15/2017 |
| △A2 |      | Modify Data | HZF   | 04/30/2013 |
| △A1 |      | Modify Data | HZF   | 04/30/2009 |
| △A0 |      | NEW RELEASE | BECKY | 06/07/2005 |