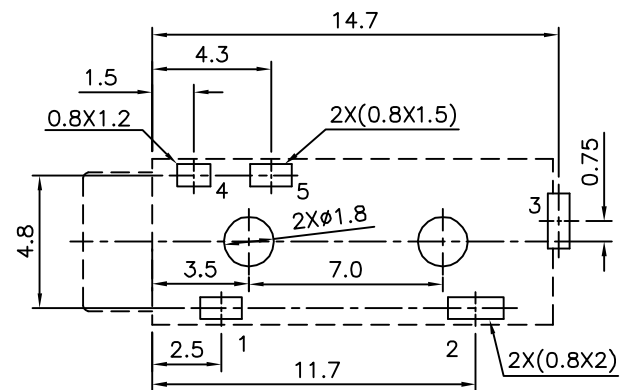
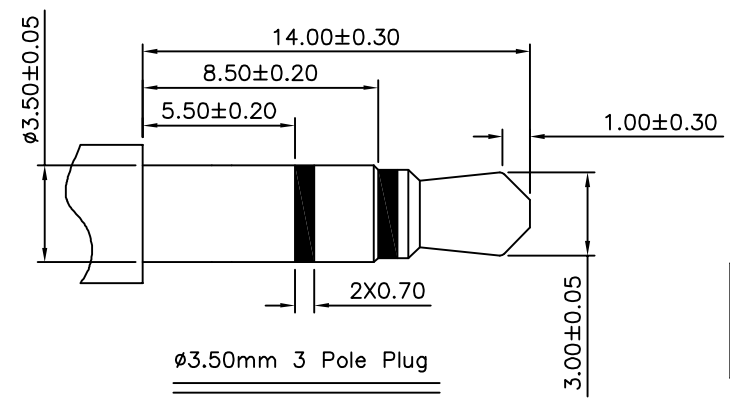
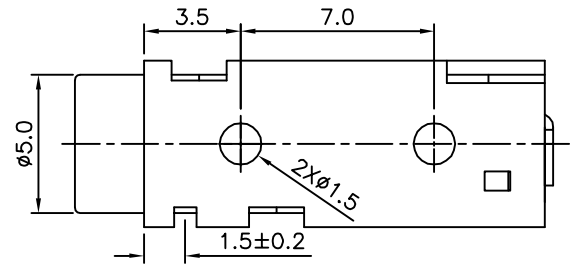


SPECIFICATION

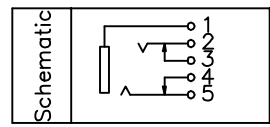
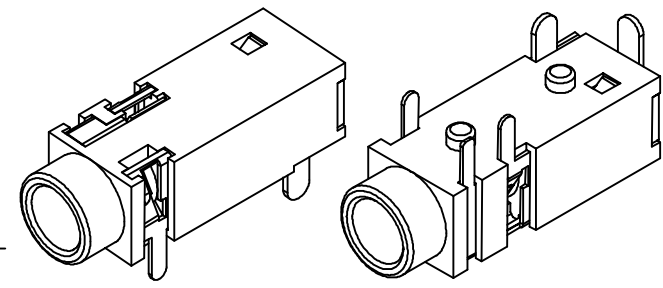
Rating:DC 30V 0.5A
 Withstand Voltage:500V AC
 Contact Resistance:30 Milliohms Max.
 Insulation Resistance:100 Megaohms Min.
 At 250V DC
 Insertion And Extraction Force:3~20N
 Life Test:5000 Cycles
 RoHS Compliant



Recommended P.C.B. Layout(Top View)



φ3.50mm 3 Pole Plug



No.	Description	Q'ty	Material	Remark
⑦	Cover	1	PA9T	Black
⑥	Housing	1	PA9T	Black
⑤	Contact Foot	1	SUS301	Silver Plated
④	Curve Piece	1	Brass	Silver Plated
③	Curve Piece	1	Brass	Silver Plated
②	Spring	1	Bronze	Silver Plated
①	Contact Foot	1	SUS301	Silver Plated

4UCON 元化興業股份有限公司
 4UCON TECHNOLOGY INC.

DRAWING No.		APPROVED BY		UNLESS OTHERWISE SPECIFIED TOLERANCES ARE .X ±0.15 .XX ±0.15 ANG. ±1.5°
13366		EMILY		
		CHECKED BY		
		HZF		
		DRAWING BY		
		YBL		
SCALE	NONE	REV.	A0	UNIT mm

NO.	REV.	REVISIONS	CHK	DATE
△ A0		NEW RELEASE	HZF	05/04/2013