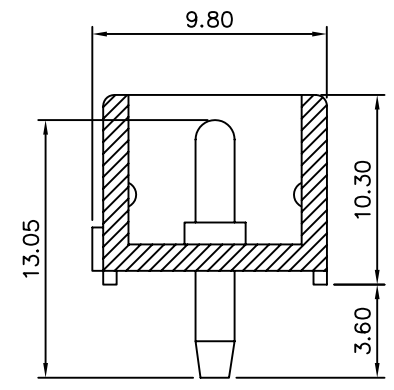
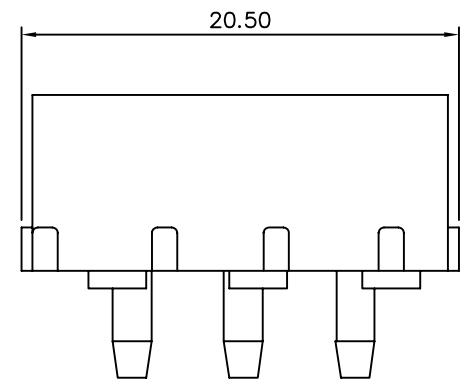
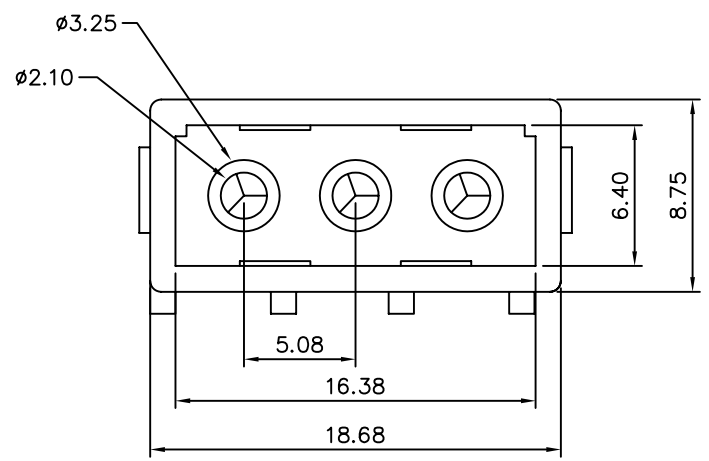


SPECIFICATIONS

Material: Nylon UL 94V-2
 Current Rating: 4.5A, AC/DC
 Voltage Rating: 250V AC
 Finish: Tin-Plated



4UCON 元化興業股份有限公司
 4UCON TECHNOLOGY INC.

DRAWING No.
 13735

APPROVED BY MEI
 CHECKED BY BECKY
 DRAWING BY HZF

UNLESS OTHERWISE SPECIFIED
 TOLERANCES ARE
 .X ±0.38
 .XX ±0.25
 ANG.

SCALE NONE

REV. A0

UNIT mm

NO. REV.

REVISIONS

MEI
 CHK DATE

0	A0	NEW RELEASE	MEI	
			CHK	DATE