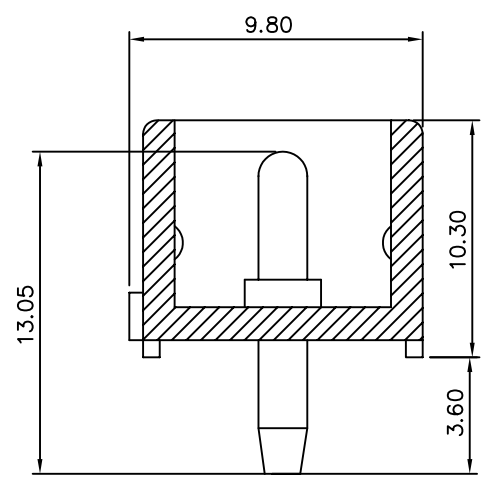
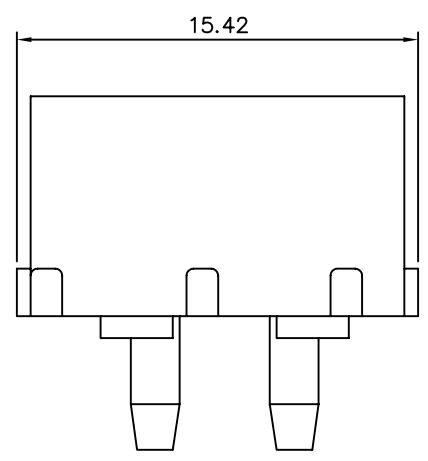
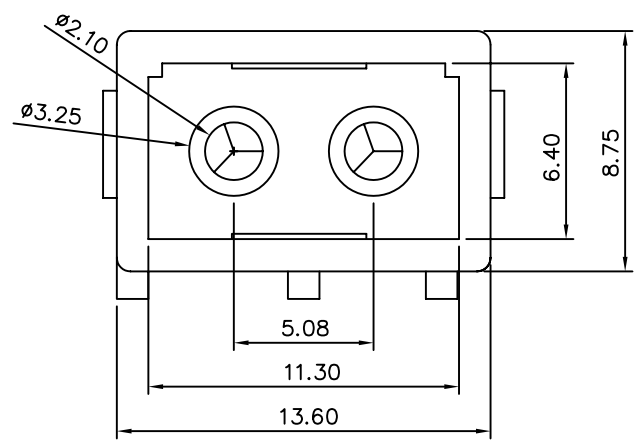


SPECIFICATIONS

Material: Nylon UL 94V-2
 Current Rating: 4.5A, AC/DC
 Voltage Rating: 250V AC
 Finish: Tin-Plated



4UCON 元化興業股份有限公司
 4UCON TECHNOLOGY INC.

DRAWING No.
 13736

APPROVED BY MEI
 CHECKED BY LLM
 DRAWING BY HXY

UNLESS OTHERWISE SPECIFIED TOLERANCES ARE
 .X ±0.38
 .XX ±0.25
 ANG.
 UNIT mm

NO.	REV.	REVISIONS	CHK	DATE
2	A2	Modify Data	BECKY	2004/12/31
1	A1	Modify Data	BECKY	2004/08/20
0	A0	NEW RELEASE	LLM	2003/02/03

SCALE NONE REV. A2