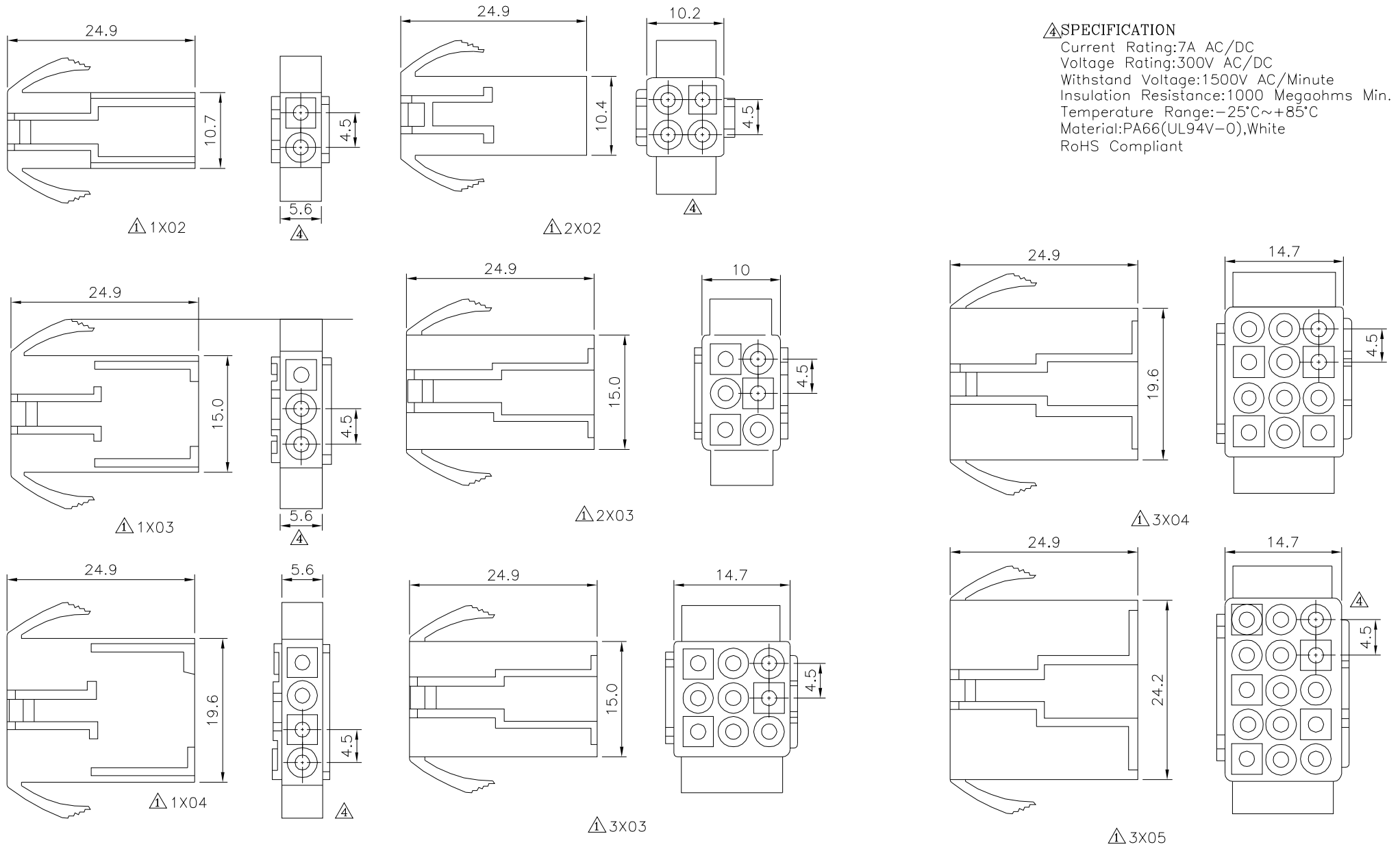


△ SPECIFICATION
 Current Rating:7A AC/DC
 Voltage Rating:300V AC/DC
 Withstand Voltage:1500V AC/Minute
 Insulation Resistance:1000 Megaohms Min.
 Temperature Range:-25°C~+85°C
 Material:PA66(UL94V-0),White
 RoHS Compliant



4U CON 元化興業股份有限公司
 4U CON TECHNOLOGY INC.

DRAWING No.		APPROVED BY MEI		UNLESS OTHERWISE SPECIFIED TOLERANCES ARE .X ±0.3
13741		CHECKED BY HZF		
SCALE NONE		DRAWING BY SONG		
REV.	A4	UNIT mm		NO. REV.

	A4	Modify Data	HZF	03/23/2021
	A3	Modify Data	HZF	08/05/2013
	A2	Modify Data	HZF	09/10/2010
	A1	Modify Data	HZF	01/28/2010
	A0	NEW RELEASE		
		REVISIONS	CHK	DATE