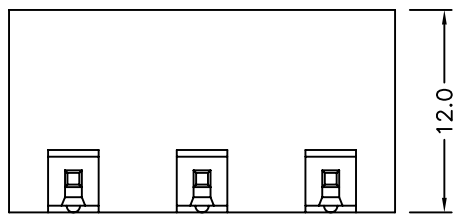
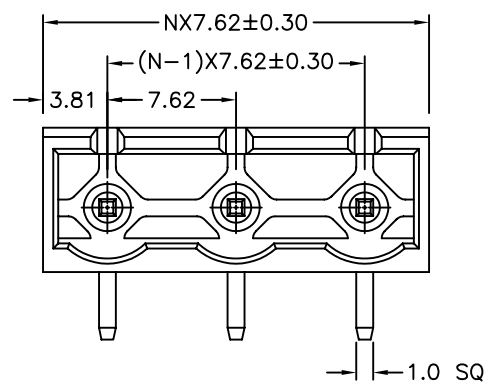
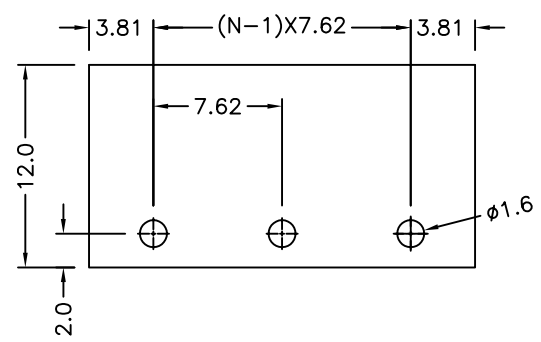
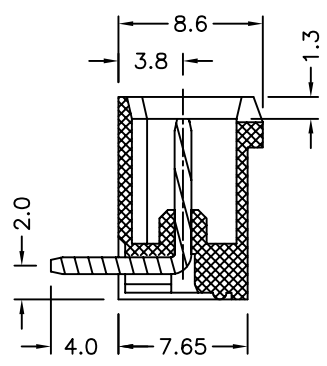


SPECIFICATIONS

Material:
 Solder Pin: Brass with Tin Plated
 Insulator Body(Housing): Polyamide(Glass Filled)(UL94V-0)
 Electrical:
 Voltage Rating: 300VAC
 Current Rating: 10A
 Insulation Resistance: 500 Megohms at DC 500V
 Withstanding Voltage: AC 1500V (1Min.)
 Mechanical:
 Using Temperature Range: -40°C to +105°C
 Soldering Temperature: +250°C, 5 Seconds Max.



N=Number of contacts
 PCB. LAYOUT



4UCON 元化興業股份有限公司
 4UCON TECHNOLOGY INC.

DRAWING No.
 13838

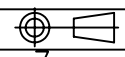
APPROVED BY MEI
 CHECKED BY BECKY
 DRAWING BY HZF

UNLESS OTHERWISE SPECIFIED TOLERANCES ARE
 .X ±0.30
 .XX ±0.10
 ANG.
 UNIT mm

| | | | | |
|-----|------|-------------|-----|------|
| NO. | REV. | REVISIONS | CHK | DATE |
| 0 | A0 | NEW RELEASE | MEI | |
| | | | | |
| | | | | |

SCALE NONE

REV. A0



UNIT mm

NO. REV.

REVISIONS

CHK

DATE