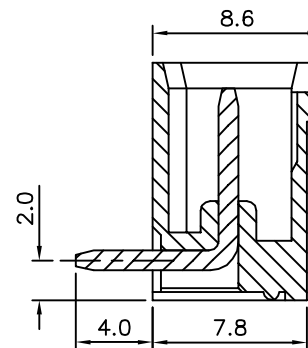
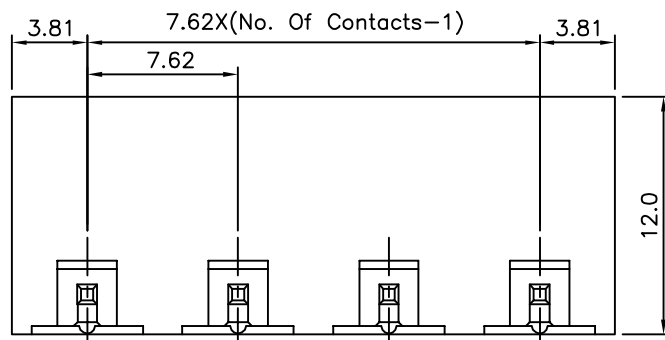


Recommended P.C.B. Layout



**△SPECIFICATION**

Current Rating:16A  
 Voltage Rating:300V AC  
 Withstand Voltage:2500V AC For 1 Minute  
 Using Temperature Range:-40°C~+105°C  
 Soldering Temperature:+250°C,5s Max.  
 Insulator Body:Polyamide+G.F.(UL94V-0),Green  
 Solder Pin:Copper Alloy,Tin Plated  
 RoHS Compliant

**4UCON** 元化興業股份有限公司  
 4UCON TECHNOLOGY INC.

|             |      |             |    |  |
|-------------|------|-------------|----|--|
| DRAWING No. |      | APPROVED BY |    | UNLESS OTHERWISE SPECIFIED TOLERANCES ARE<br>.X ±0.30<br>.XX ±0.15<br>.XXX ±0.05<br>ANG. ±1° |
| 13846       |      | EMILY       |    |  |
|             |      | CHECKED BY  |    |  |
|             |      | HZF         |    |  |
|             |      | DRAWING BY  |    |  |
|             |      | GAO         |    |  |
| SCALE       | NONE | REV.        | A1 | UNIT   |
|             |      |             |    | mm   |

|     |      |              |     |            |
|-----|------|--------------|-----|------------|
| NO. | REV. | REVISIONS    | CHK | DATE       |
| △A1 |      | Modify Spec. | HZF | 03/13/2013 |
| △A0 |      | NEW RELEASE  | HZF | 03/10/2010 |