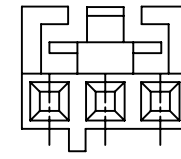
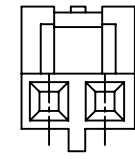
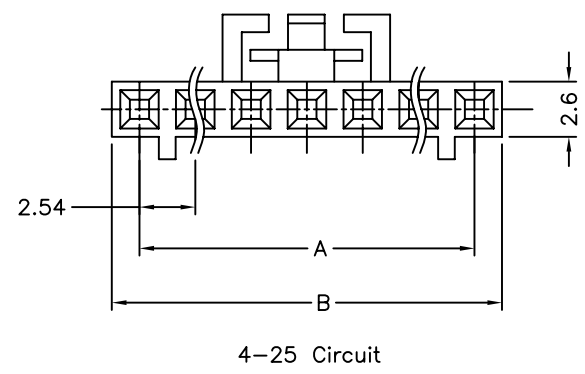


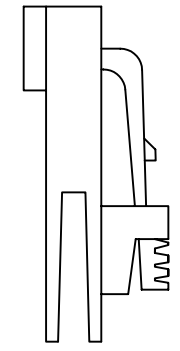
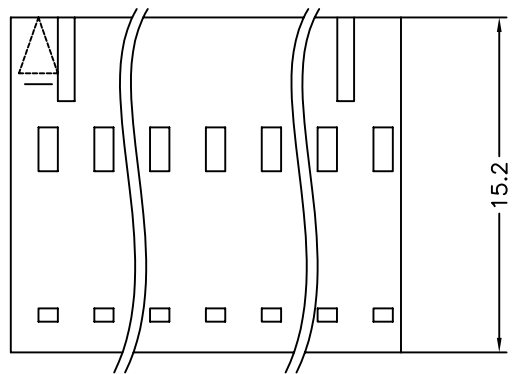
**SPECIFICATIONS**

Current Rating: 2.5A AC, DC  
 Voltage Rating: 250V AC, DC  
 Temperature Range: -25°C to +85°C  
 Insulation Resistance: 1,000 Megohms Min.  
 Withstand Voltage: 800V AC/Minute  
 Material: PBT, UL 94V-0, Black

Latch And Polarization  
 RIB Location



| Circuit | A     | B    |
|---------|-------|------|
| 2       | 2.54  | 5.2  |
| 3       | 5.08  | 7.8  |
| 4       | 7.62  | 10.3 |
| 5       | 10.16 | 12.9 |
| 6       | 12.70 | 15.4 |
| 7       | 15.24 | 18.0 |
| 8       | 17.78 | 20.5 |
| 9       | 20.32 | 23.1 |
| 10      | 22.86 | 25.6 |
| 11      | 25.40 | 28.1 |
| 12      | 27.94 | 30.7 |
| 13      | 30.48 | 33.2 |
| 14      | 33.02 | 35.8 |
| 15      | 35.54 | 38.3 |
| 16      | 38.10 | 40.9 |
| 17      | 40.64 | 43.4 |
| 18      | 43.18 | 46.0 |
| 19      | 45.72 | 48.5 |
| 20      | 48.26 | 51.1 |
| 21      | 50.80 | 53.6 |
| 22      | 53.34 | 56.2 |
| 23      | 55.88 | 58.7 |
| 24      | 58.42 | 61.2 |
| 25      | 60.96 | 63.8 |



**4UCON** 元化興業股份有限公司  
 4UCON TECHNOLOGY INC.

DRAWING No.  
 13997

APPROVED BY MEI  
 CHECKED BY BECKY  
 DRAWING BY HZF

UNLESS OTHERWISE SPECIFIED  
 TOLERANCES ARE  
 .X ±0.38  
 .XX ±0.25  
 ANG.

SCALE NONE REV. A0

UNIT mm  
 NO. REV. A0 NEW RELEASE BECKY 2004/06/12  
 REVISIONS CHK DATE