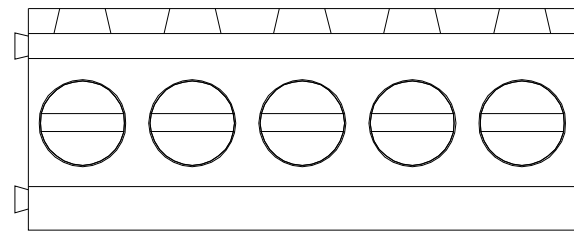
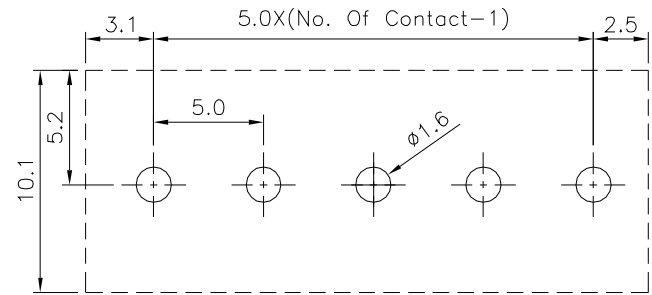


**△△ SPECIFICATION**

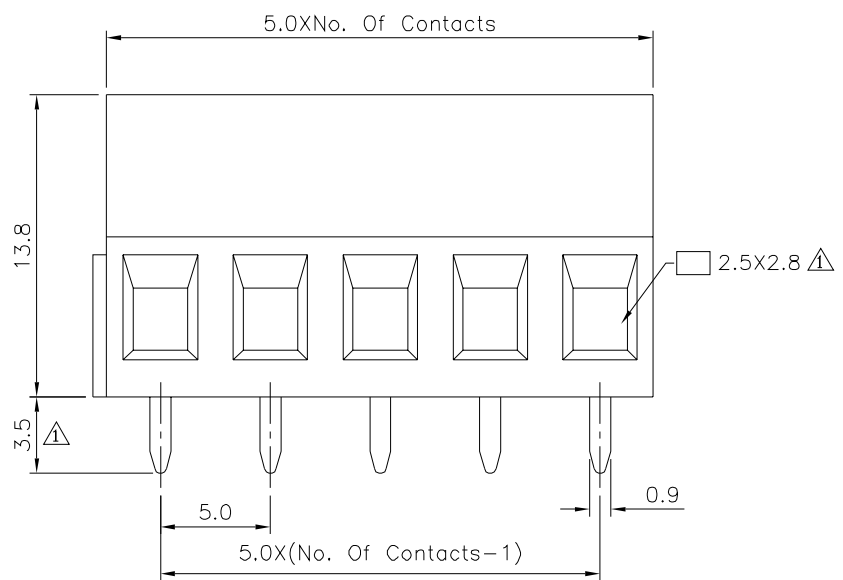
Voltage Rating:300V AC  
 Current Rating:16 Amps/Way Max.  
 Contact Resistance:20 Milliohms Max.  
 Withstanding Voltage:2500V AC(1 Minute)  
 Test Time=60s/PCS  
 Wire Range:12~30 AWG  
 △ Torque:4.5 Kgf.cm/M3.0  
 Operation Temperature:-40°C~+105°C  
 Soldering Reliability:250°C±10°C/5s Max.  
 Contact(Metal Housing):Copper Alloy,Nickel Plated  
 Terminal Screw:Steel,Galvanized With Cr3+ Plated  
 Solder Pin:Copper Alloy,Tin Plated  
 Insulator Body(Housing):Polyamide(UL94V-0),Green  
 RoHS Compliant



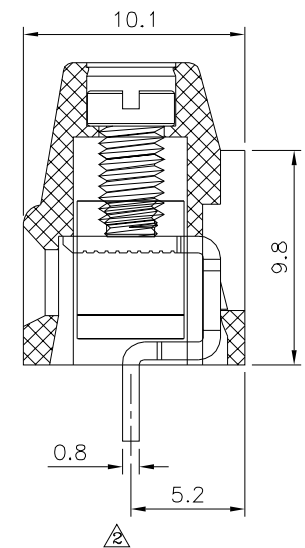
△



Recommended P.C.B. Layout



△△



**4UCON** 元化興業股份有限公司  
 4UCON TECHNOLOGY INC.

|             |      |             |    |   |
|-------------|------|-------------|----|---|
| DRAWING No. |      | APPROVED BY |    | UNLESS OTHERWISE SPECIFIED TOLERANCES ARE<br>X. ±0.50<br>.X ±0.30<br>.XX ±0.20<br>X.° ±1° |
| 14325       |      | MEI         |    |   |
|             |      | CHECKED BY  |    |   |
|             |      | HZF         |    |   |
| DRAWING BY  |      | CYP         |    |   |
| SCALE       | NONE | REV.        | A3 | UNIT<br>mm  |

|     |      |             |     |            |
|-----|------|-------------|-----|------------|
| NO. | REV. | REVISIONS   | CHK | DATE       |
| △   | A3   | Modify Data | HZF | 11/04/2017 |
| △   | A2   | Modify Data | HZF | 08/15/2013 |
| △   | A1   | Modify Data | HZF | 11/27/2010 |
| △   | A0   | NEW RELEASE | HZF | 11/19/2009 |