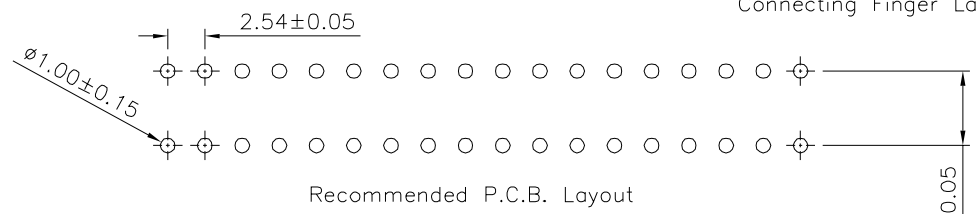
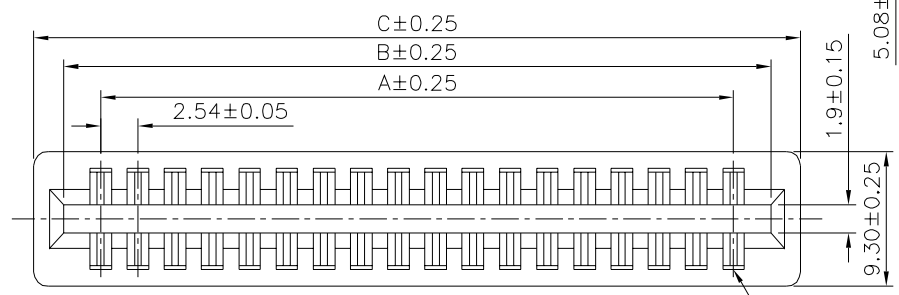


**SPECIFICATION**  
 Current Rating:3A  
 Dielectric Withstanding Voltage:1000V AC/1 Minute  
 ⚠ Operation Temperature:-55°C~+105°C  
 Insulation Resistance:5000 Megaohms Min. At 500V DC  
 Contact Resistance:20 Milliohms Max.  
 Insertion Force:340g Max. Per Pair  
 Withdrawal Force:28g Min. Per Pair  
 Insulator:PBT+G.F.(UL94V-0)  
 Contact:Brass  
 Mating Area:Gold Plated Over Nickel  
 Solder Area:Tin Plated Over Nickel  
 RoHS Compliant

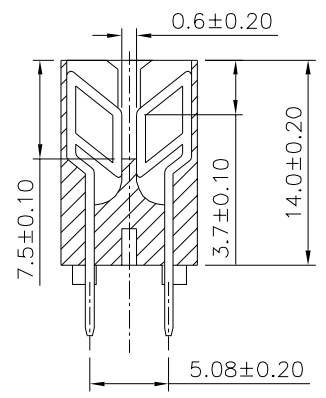
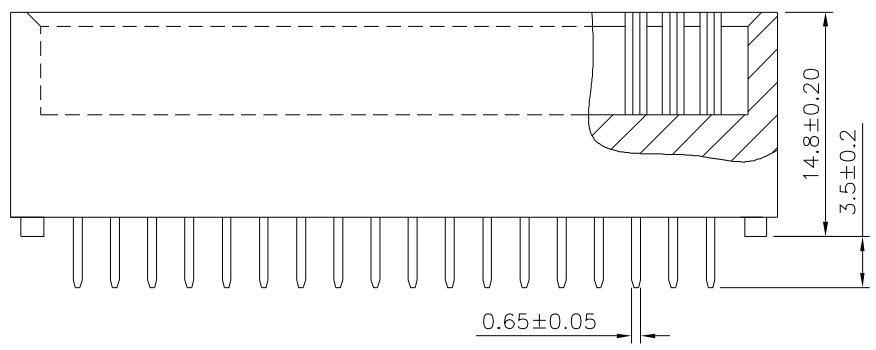
Connecting Finger Layout



Recommended P.C.B. Layout



| Pin | A     | B     | C     | Pin | A      | B      | C      |
|-----|-------|-------|-------|-----|--------|--------|--------|
| 06  | 5.08  | 10.66 | 14.22 | 44  | 53.34  | 58.92  | 62.48  |
| 08  | 7.62  | 13.20 | 16.76 | 46  | 55.88  | 61.46  | 65.02  |
| 10  | 10.16 | 15.74 | 19.30 | 48  | 58.42  | 64.00  | 67.56  |
| 12  | 12.70 | 18.28 | 21.84 | 50  | 60.96  | 66.54  | 70.10  |
| 14  | 15.24 | 20.82 | 24.38 | 52  | 63.50  | 69.08  | 72.64  |
| 16  | 17.78 | 23.36 | 26.92 | 54  | 66.04  | 71.62  | 75.18  |
| 18  | 20.32 | 25.90 | 29.46 | 56  | 68.58  | 74.16  | 77.72  |
| 20  | 22.86 | 28.44 | 32.00 | 58  | 71.12  | 76.70  | 80.26  |
| 22  | 25.40 | 30.98 | 34.54 | 60  | 73.66  | 79.24  | 82.80  |
| 24  | 27.94 | 33.52 | 37.08 | 62  | 76.20  | 81.78  | 85.34  |
| 26  | 30.48 | 36.06 | 39.62 | 64  | 78.74  | 84.32  | 87.88  |
| 28  | 33.02 | 38.60 | 42.16 | 66  | 81.28  | 86.86  | 90.42  |
| 30  | 35.56 | 41.14 | 44.70 | 68  | 83.82  | 89.40  | 92.96  |
| 32  | 38.10 | 43.68 | 47.24 | 70  | 86.36  | 91.94  | 95.50  |
| 34  | 40.64 | 46.22 | 49.78 | 72  | 88.90  | 94.48  | 98.04  |
| 36  | 43.18 | 48.76 | 52.32 | 80  | 99.06  | 104.64 | 108.20 |
| 38  | 45.72 | 51.30 | 54.86 | 86  | 106.68 | 112.26 | 115.82 |
| 40  | 48.26 | 53.84 | 57.40 | 100 | 124.46 | 130.04 | 133.60 |
| 42  | 50.80 | 56.38 | 59.94 | 120 | 149.86 | 155.44 | 159.00 |



**4UCON** 元化興業股份有限公司  
 4UCON TECHNOLOGY INC.

|             |      |                |    |  |
|-------------|------|----------------|----|--|
| DRAWING No. |      | APPROVED BY    |    | UNLESS OTHERWISE SPECIFIED TOLERANCES ARE<br>.X ±0.38<br>.XX ±0.25<br>ANG. |
| 14804       |      | MEI            |    |  |
|             |      | CHECKED BY HZF |    |  |
|             |      | DRAWING BY CYP |    |  |
| SCALE       | NONE | REV.           | C1 | UNIT mm  |

|     |      |             |     |            |
|-----|------|-------------|-----|------------|
| NO. | REV. | REVISIONS   | CHK | DATE       |
| ⚠   | C1   | Modify Data | HZF | 04/18/2018 |
| ⚠   | C0   | NEW RELEASE | HZF | 11/21/2013 |