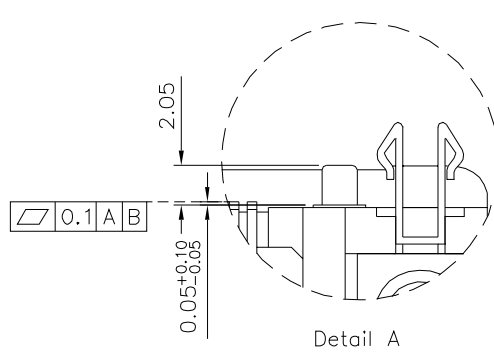
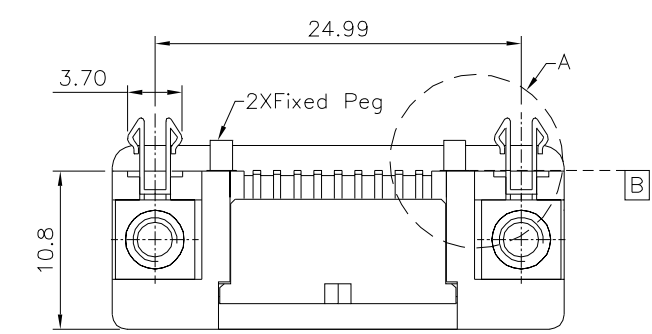
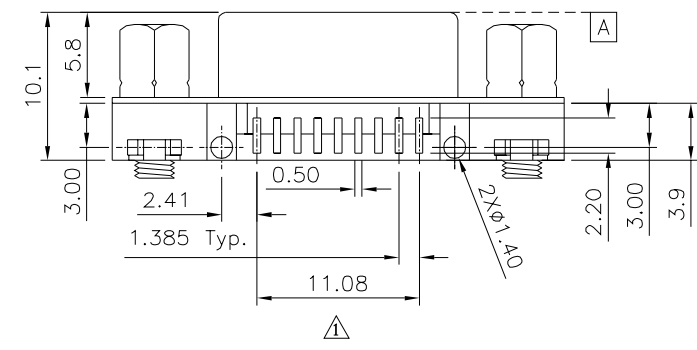


SPECIFICATION
 Current Rating:1.0A DC
 Voltage Rating:300V DC
 Withstand Voltage:500V AC For 1 Minute
 Contact Resistance:30 Milliohms Max.(Initial)
 Insulation Resistance:1000 Megaohms Min.
 Operation Temperature:-55°C~+85°C
 Storage Temperature:-55°C~+105°C
 Insulator:PA6T(UL94V-0),Black
 Contact:Phosphor Bronze,Gold Flash On Contact
 Area,Tin Plated On Solder Tails,Over Nickel
 Metal Shell:Steel,Nickel Plated Over Copper
 Boardlock:Brass,Tin Plated Over Nickel
 Nut&Screw:Brass,Nickel Plated
 Screw Size:4.75X5X10.5
 RoHS Compliant



4UCON 元化興業股份有限公司
 4UCON TECHNOLOGY INC.

DRAWING No.		APPROVED BY		UNLESS OTHERWISE SPECIFIED TOLERANCES ARE .X ±0.30 .XX ±0.20 .XXX ±0.10 ANG. ±3°
14849		MEI		
		CHECKED BY HZF		
		DRAWING BY CYP		
SCALE	NONE	REV.	B1	UNIT mm

NO.	REV.	REVISIONS	CHK	DATE
△ B1		Modify Data	HZF	06/10/2023
△ B0		NEW RELEASE	HZF	03/07/2019