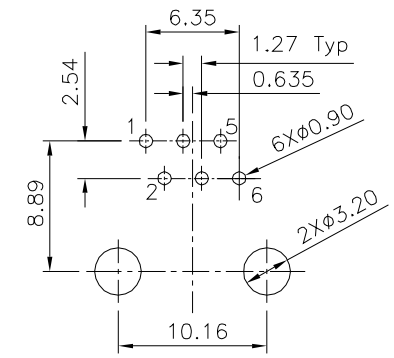
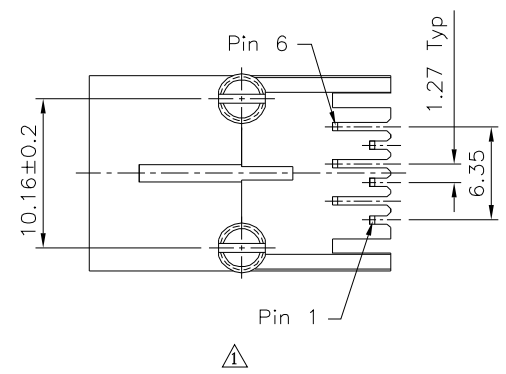
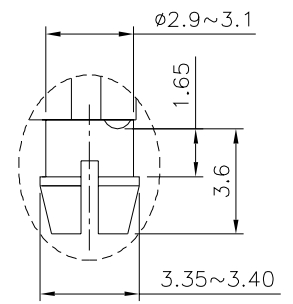
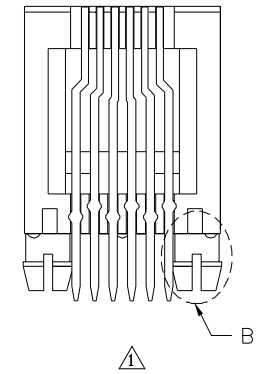
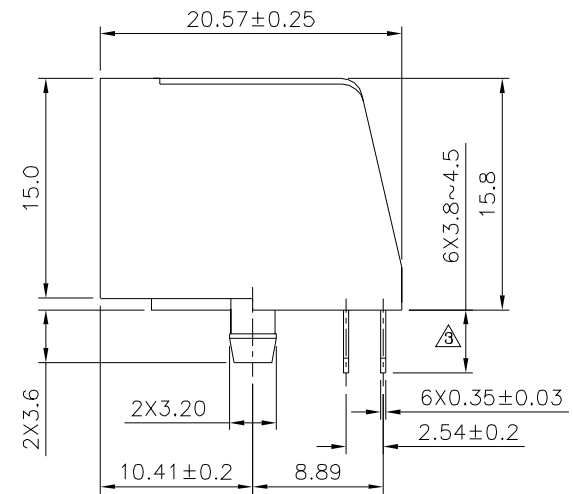
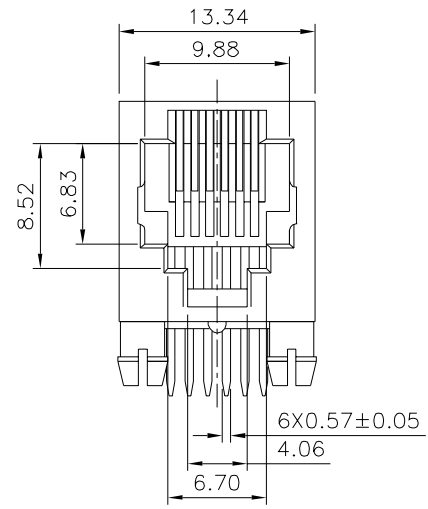


△△ SPECIFICATION
 Current Rating:1.5A Max.
 Voltage Rating:150V AC Max.
 Operating Temperature: -40°C~+85°C
 Relative Humidity:70% ±10%RH
 Insulation Resistance:500 Megaohms Min. Initial
 At 500V DC
 Contact Resistance:20 Milliohms Max. Initial
 30 Milliohms Max. Final
 Durability:750 Cycles
 Dielectric Withstanding Voltage:
 1000V RMS. At 60Hz,1 Minute Between
 Adjacent Contacts
 1500V RMS. At 60Hz,1 Minute Between
 Shield And Contacts
 Housing:PBT+G.F.(UL94V-0),Black
 Contact:Phosphor Bronze
 Gold Plated 06u" On Contact Area,Gold
 Flash On Other Area,Over Nickel
 Cavity Conforms To FCC Rules And Regulations
 Part 68,Subpart F.
 RoHS Compliant



△ Recommended P.C.B. Layout(Top View)
 Recommended PCB Thickness:1.6mm
 Tolerance:±0.05

4UCON 元化興業股份有限公司
 4UCON TECHNOLOGY INC.

DRAWING No. △△△
 14869

APPROVED BY MEI
 CHECKED BY HZF
 DRAWING BY CYP

UNLESS OTHERWISE SPECIFIED TOLERANCES ARE
 .X ±0.25
 .XX ±0.13
 .XXX ±0.05

△	A4	Modify Data	HZF	04/12/2019
△	A3	Modify Data	HZF	09/02/2013
△	A2	Modify Data	HZF	12/15/2011
△	A1	Modify Data	HZF	04/16/2010
△	A0	NEW RELEASE	HZF	
NO. REV.	REVISIONS		CHK	DATE

SCALE NONE REV. A4

UNIT mm

