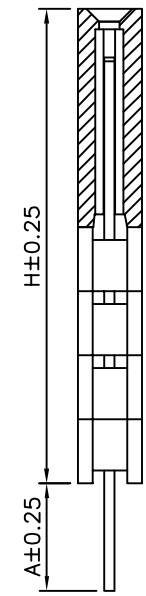
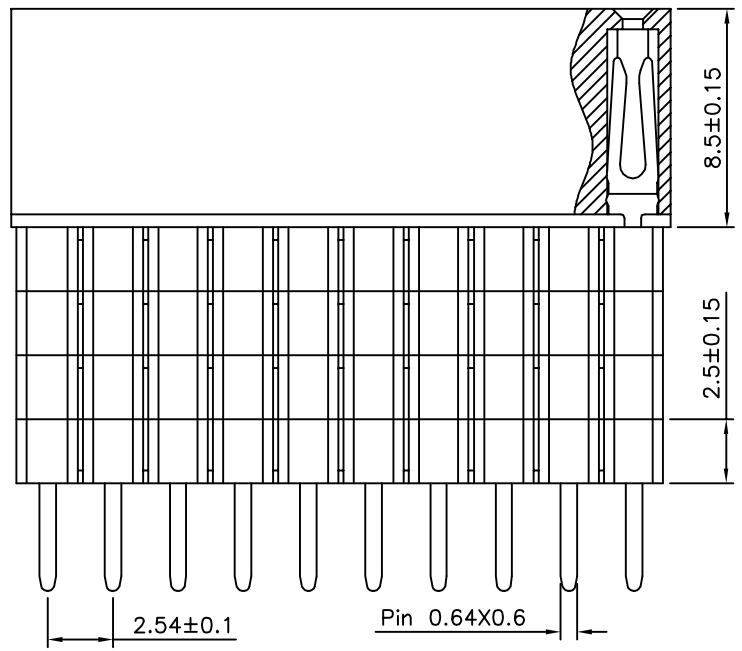
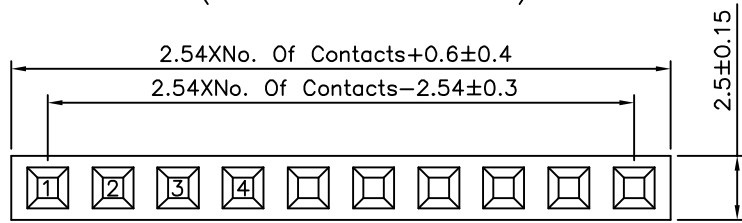


Recommended P.C.B. Layout (Top View)  
 (PCB Board Tolerance  $\pm 0.05$ )



**SPECIFICATION**  
 Current Rating:3A  
 Withstand Voltage:1000V AC  
 Contact Resistance:20 Milliohms Max.  
 Insulation Resistance:1000 Megaohms Min.  
 Operating Temperature:-40°C~+105°C  
 Insulator:PA6T(UL94V-0),Black  
 Contact:Brass,Gold Flash Over Nickel  
 RoHS Compliant

Series No.	Plastic Q'ty	H	A
0196	1	11.00	2.30
0196	1	11.00	7.00
0196	1	11.00	12.30
0197	2	13.50	4.50
0197	2	13.50	9.80
0198	3	16.00	2.00
0198	3	16.00	7.30
0199	4	18.50	4.80

**4UCON** 元化興業股份有限公司  
 4UCON TECHNOLOGY INC.

DRAWING No.		APPROVED BY		UNLESS OTHERWISE SPECIFIED TOLERANCES ARE X .X $\pm 0.25$ X. <sup>*</sup> $\pm 0.25$ .XX $\pm 0.15$ .XX <sup>*</sup> $\pm 0.15$ .XXX $\pm 0.10$ .XXX <sup>*</sup> $\pm 0.10$
15283		EMILY		
		CHECKED BY HZF		
		DRAWING BY HAO		
SCALE	NONE	REV.	A0	UNIT mm

NO.	REV.	REVISIONS	CHK	DATE
	A0	NEW RELEASE	HZF	12/11/2014