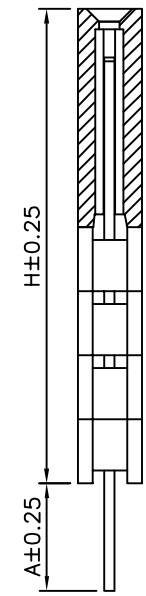
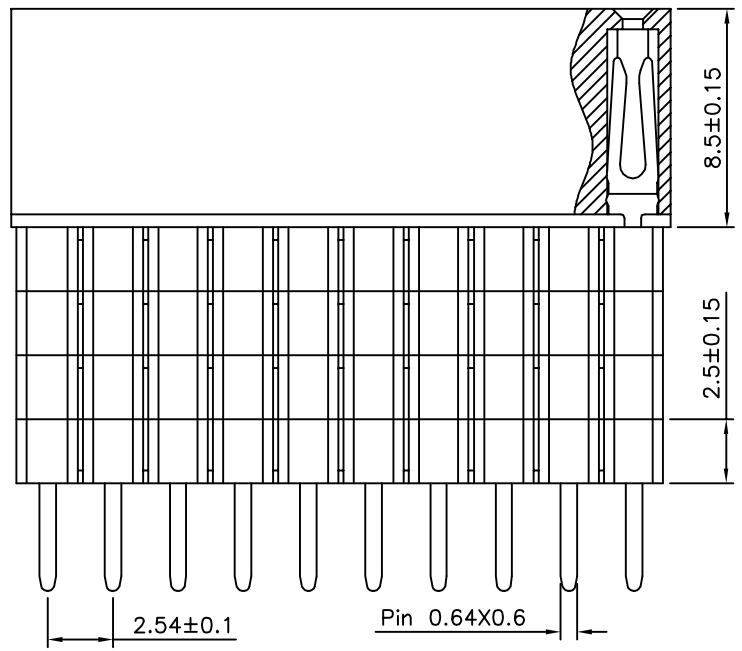
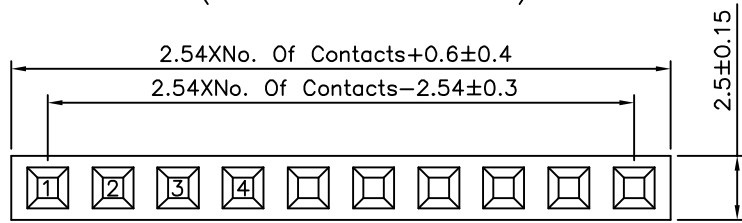


Recommended P.C.B. Layout (Top View)  
(PCB Board Tolerance ±0.05)



**SPECIFICATION**  
 Current Rating: 3A  
 Withstand Voltage: 1000V AC  
 Contact Resistance: 20 Milliohms Max.  
 Insulation Resistance: 1000 Megaohms Min.  
 Operating Temperature: -40°C ~ +105°C  
 Insulator: PA6T(UL94V-0), Black  
 Contact: Brass, Gold Flash Over Nickel  
 RoHS Compliant

Series No.	Plastic Q'ty	H	A
0196	1	11.00	2.30
0196	1	11.00	7.00
0196	1	11.00	12.30
0197	2	13.50	4.50
0197	2	13.50	9.80
0198	3	16.00	2.00
0198	3	16.00	7.30
0199	4	18.50	4.80

**4UCON** 元化興業股份有限公司  
 4UCON TECHNOLOGY INC.

DRAWING No. 15285  
 APPROVED BY EMILY  
 CHECKED BY HZF  
 DRAWING BY HAO  
 SCALE NONE REV. A0

UNLESS OTHERWISE SPECIFIED TOLERANCES ARE  
 X .±0.25 X\* ±0.25  
 .X ±0.20 .X\* ±0.20  
 .XX ±0.15 .XX\* ±0.15  
 .XXX ±0.10 .XXX\* ±0.10

NO.	REV.	DESCRIPTION	CHK	DATE
△A0		NEW RELEASE	HZF	12/11/2014
		REVISIONS		