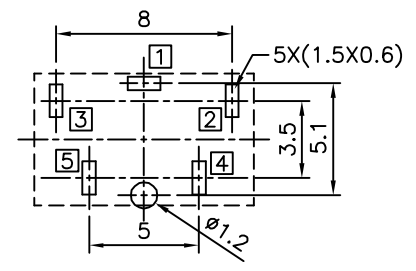
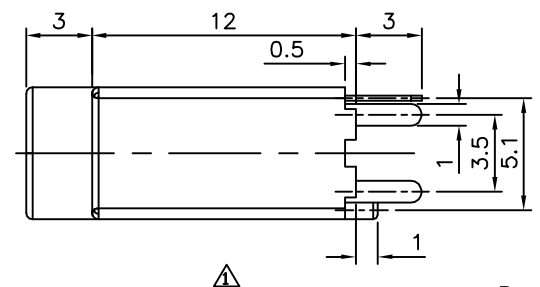
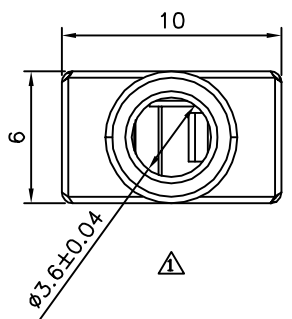
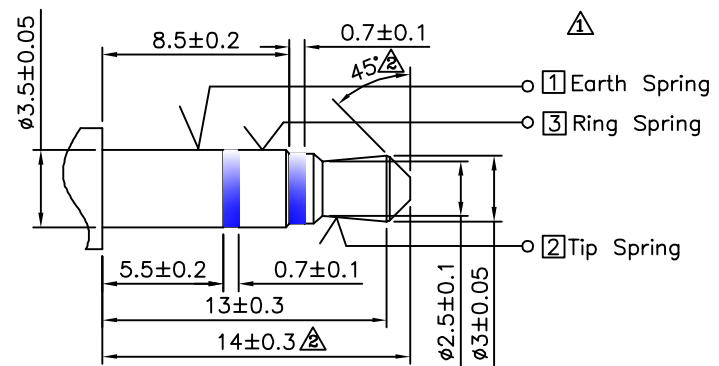
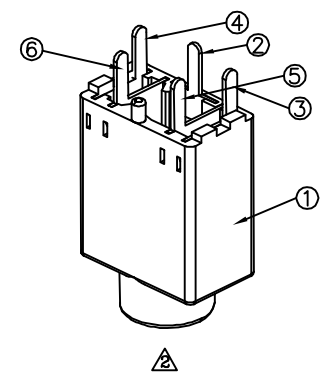
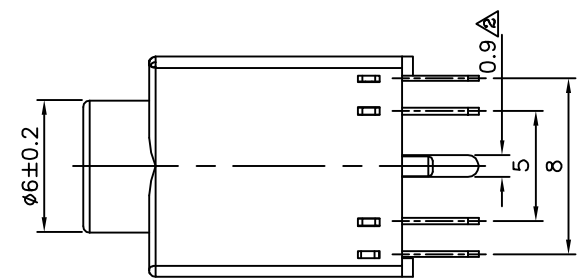


△△ SPECIFICATION

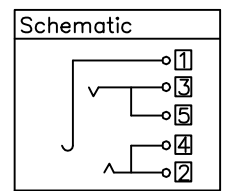
Rating:DC 30V,0.5A
 Contact Resistance:50 Milliohms Max.
 After Test:100 Milliohms Max.
 Insulation Resistance:100 Megaohms Min. At 500V DC
 After Test:50 Megaohms Min.
 Withstand Voltage:500V AC
 Insertion And Extraction Force:3~30N
 Life Test:5000 Cycles Min.
 Operation Temperature Range:-20°C~+70°C
 Preservative Temperature Range:-40°~+85°C
 RoHS Compliant



Recommended P.C.B. Layout (Bottom Side)
 Unspecified Tolerance±0.05



△ Matching Plug



△	⑥	Shunt Terminal	5	1	Brass	Silver Plated
	⑤	Shunt Terminal	4	1	Brass	Silver Plated
	④	Ring Spring	3	1	Stainless Steel	Silver Plated
	③	Tip Spring	2	1	Phosphor Bronze	Silver Plated
	②	Earth Spring	1	1	Stainless Steel	Silver Plated
	①	Housing		1	PBT,UL94V-0	Black
△	No.	Description	Q'ty		Material	Finish

4UCON 元化興業股份有限公司
 4UCON TECHNOLOGY INC.

DRAWING No. 15497

APPROVED BY MEI
 CHECKED BY HZF
 DRAWING BY GAO

UNLESS OTHERWISE SPECIFIED TOLERANCES ARE
 △ X. ±0.3
 .X ±0.3
 ANG. ±2°

△	A2	Modify Data	HZF	08/16/2012
△	A1	Modify Data	HZF	05/08/2010
△	A0	NEW RELEASE	HZF	07/21/2008
NO.	REV.	REVISIONS	CHK	DATE

SCALE NONE REV. A2 UNIT mm