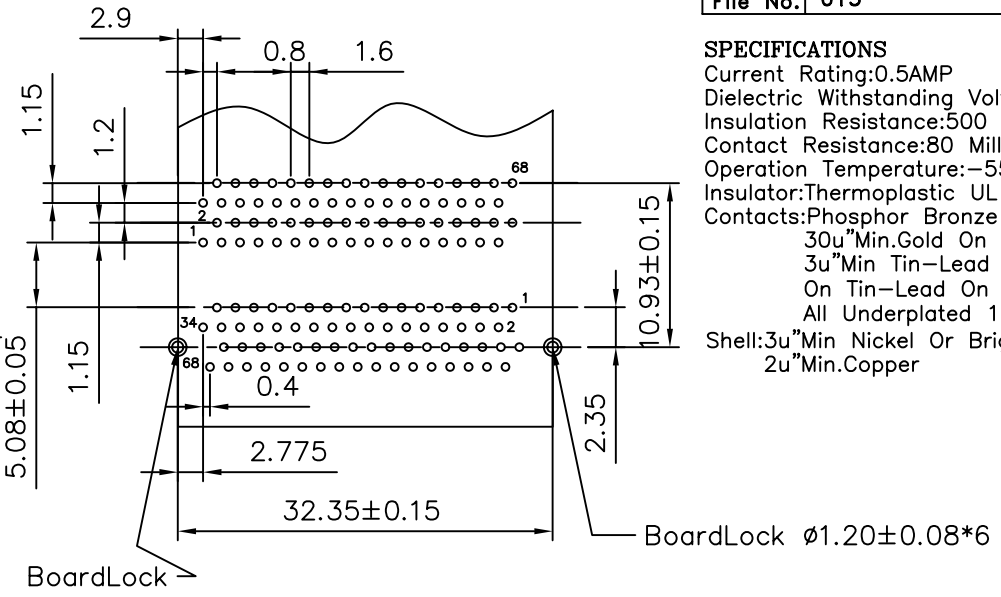
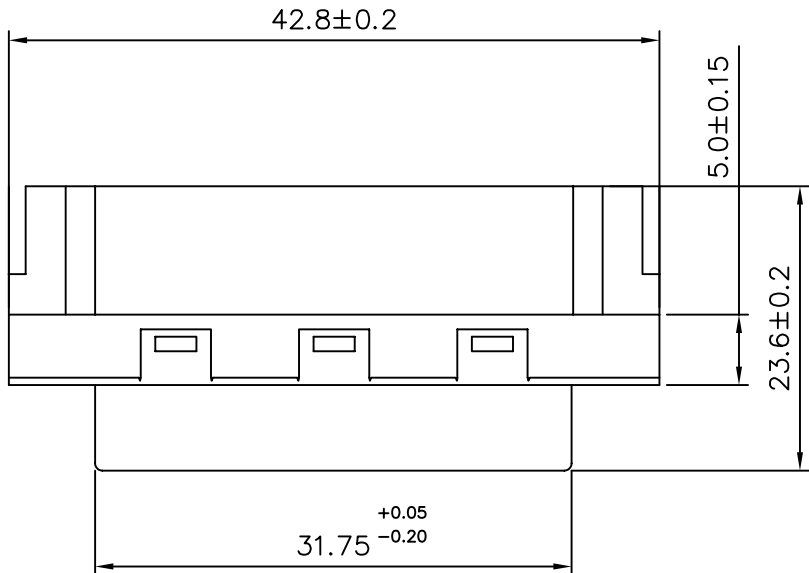
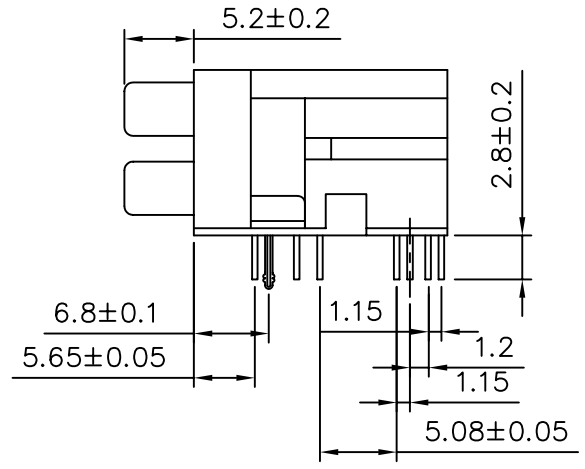
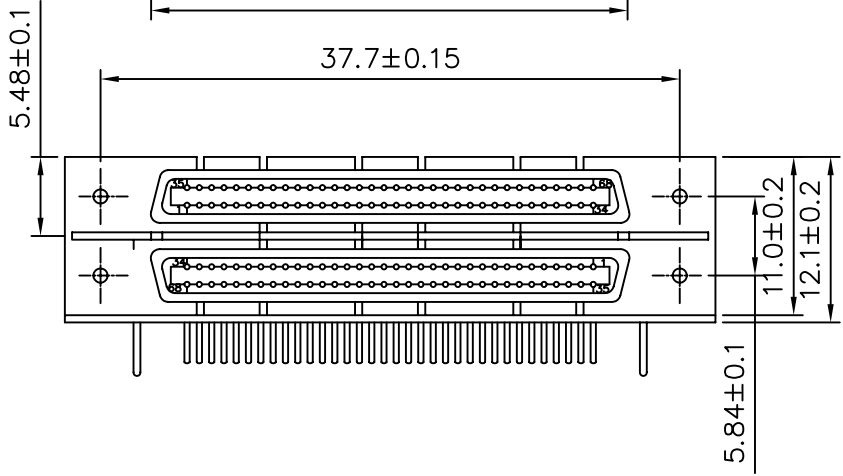


SPECIFICATIONS
 Current Rating:0.5AMP
 Dielectric Withstanding Voltage:250VAC
 Insulation Resistance:500 Megohms Min.
 Contact Resistance:80 Milliohms Max.
 Operation Temperature:-55°C To +105°C
 Insulator:Thermoplastic UL 94V-0
 Contacts:Phosphor Bronze
 30u"Min.Gold On Mating End
 3u"Min Tin-Lead 120u" Min.50u" Min.
 On Tin-Lead On Termination End
 All Underplated 1.3u"Min. Nickel
 Shell:3u"Min Nickel Or Bright Tin Over
 2u"Min.Copper



Recommended PCB Layout



4UCON 元化興業股份有限公司
 4UCON TECHNOLOGY INC.

DRAWING No.		APPROVED BY		UNLESS OTHERWISE SPECIFIED TOLERANCES ARE .X ±0.38 .XX ±0.25 ANG.
15673		MEI		
		BECKY		
		DRAWING BY		UNIT mm
		HZF		
SCALE	NONE	REV.	A0	UNIT mm

NO.	REV.	REVISIONS	CHK	DATE
△ A0		NEW RELEASE		