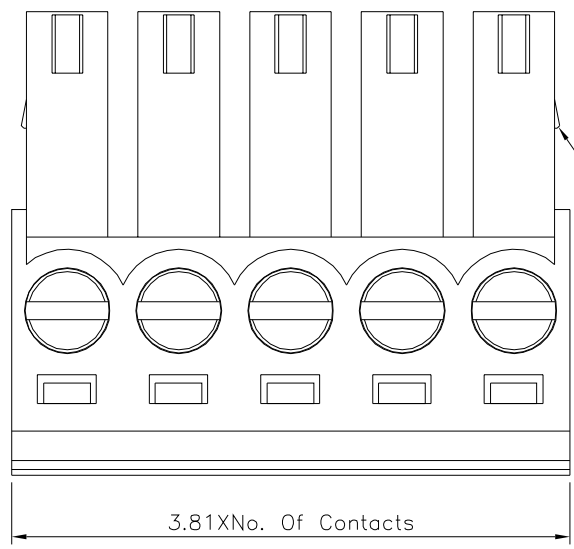
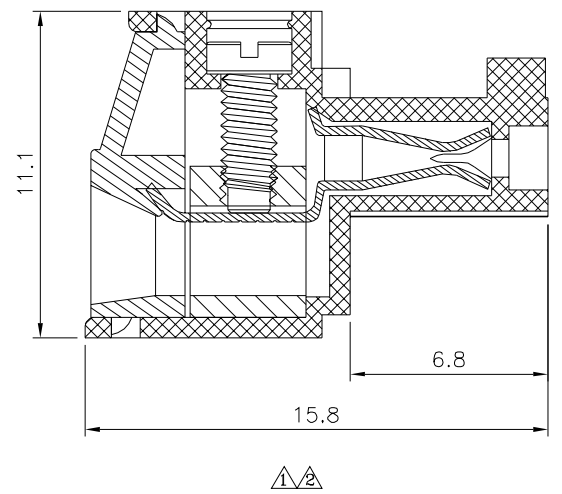
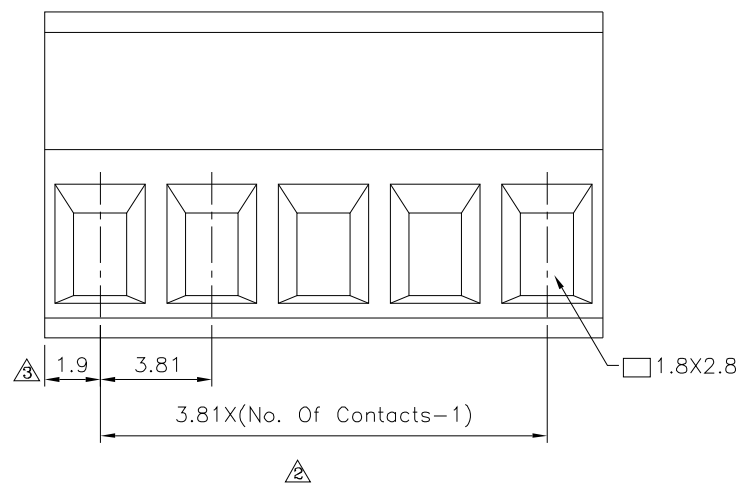


**△ SPECIFICATION**  
 Current Rating:12 Amp/Way Max.  
 Voltage Rating:300V AC  
 Withstanding Voltage:2500V AC/Minute  
 Test Time=60 Sec./1PCS  
 Contact Resistance:20 Milliohms Max.  
 Wire Range:16~24 AWG  
 Torque:2.5 Kgf.cm/M2  
 Operation Temperature:-40°C~+105°C  
**△ Soldering Reliability:**  
 Test Temperature=250°C±10°C/5 Seconds Max.  
 Contact(Metal Housing):Copper Alloy,Nickel Plated  
 Terminal Screw:Steel,Galvanized With Cr3+ Plated  
**△ Wire Guard:Phosphor Bronze,Tin Plated**  
 Insulator Body(Housing):Polyamide(UL94V-0),Green  
 RoHS Compliant



2P~6P With Wedge,Above 7P  
 Without Wedge(Including 7P)

△ Above 10P Tolerance Is  $\pm 0.8$   
 $-0.3$



**4UCON** 元化興業股份有限公司  
 4UCON TECHNOLOGY INC.

DRAWING No. <b>△△△</b>		APPROVED BY MEI		UNLESS OTHERWISE SPECIFIED TOLERANCES ARE X. ±0.50 .X ±0.30 .XX ±0.20 ANG. ±1°
<b>15704</b>		CHECKED BY HZF		
		DRAWING BY CYP		
SCALE	NONE	REV.	A3	UNIT mm

NO.	REV.	REVISIONS	CHK	DATE
△A3		Modify Data	HZF	01/30/2016
△A2		Modify Data	HZF	10/25/2014
△A1		Modify Data	HZF	08/14/2012
△A0		NEW RELEASE	HZF	04/10/2009