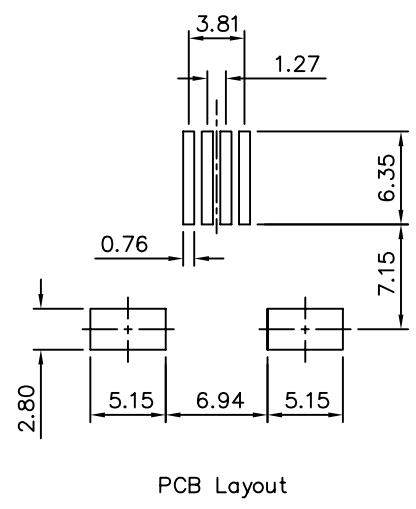
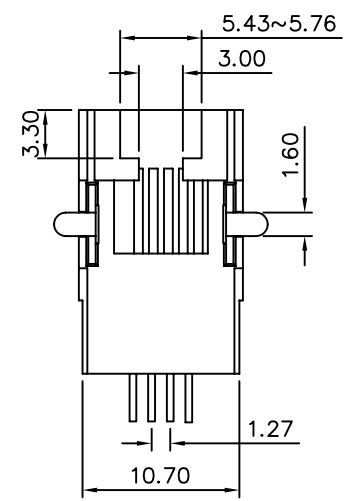
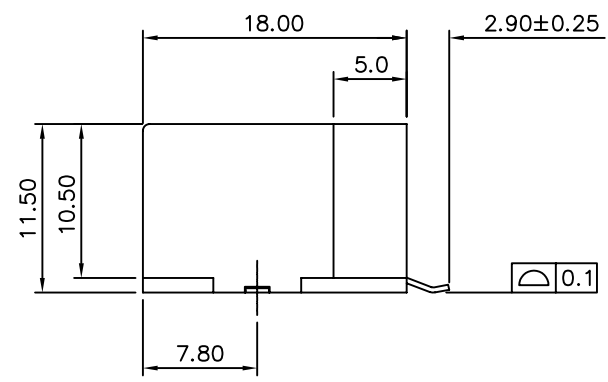
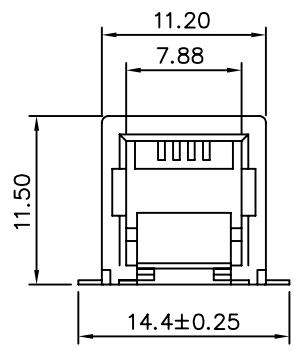


**SPECIFICATIONS**  
 Housing: PBT Polyester UL 94V-0  
 Mixed Glass Fiber  
 Standard Color: Black  
 Contact: 0.35mm Thick Phosphor Bronze  
 Gold Plated 6u"  
 Tin Lead In Solder Area  
 Hold Down: 0.30mm Thick Copper Alloy  
 Tin Lead Plated



**4UCON** 元化興業股份有限公司  
 4UCON TECHNOLOGY INC.

DRAWING No.		APPROVED BY		UNLESS OTHERWISE SPECIFIED TOLERANCES ARE .X ±0.25 .XX ±0.13 .XXX ±0.05
15771		MEI		
		CHECKED BY BECKY		
		DRAWING BY HZF		
SCALE	NONE	REV.	A0	UNIT mm

NO.	REV.	REVISIONS	CHK	DATE
△ A0		NEW RELEASE	BECKY	05/13/2005