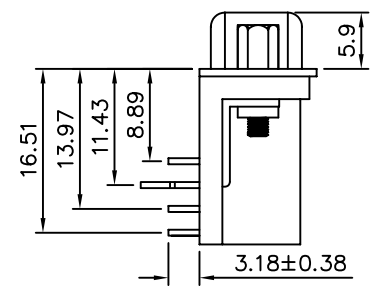
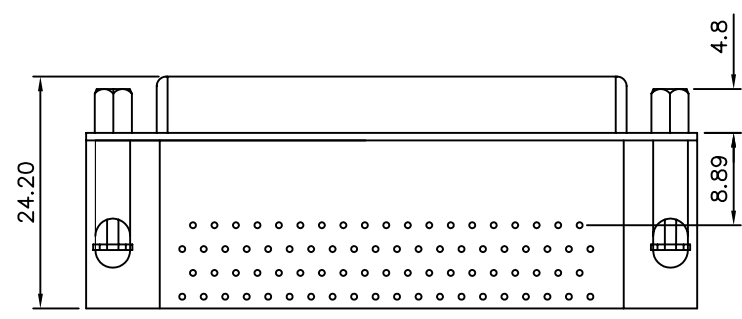
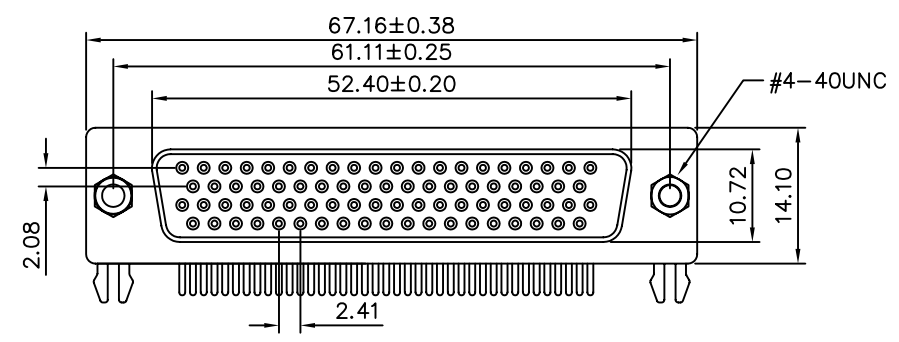
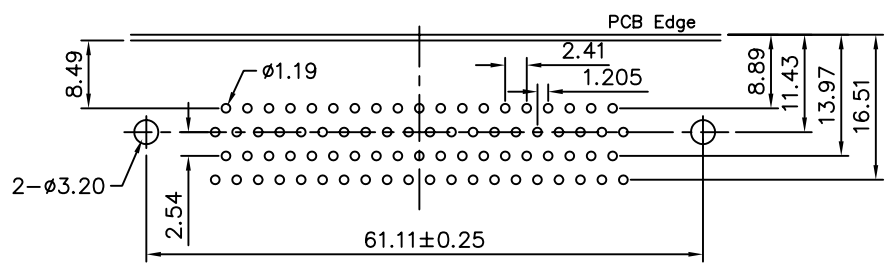


**MATERIALS**

Insulator: PBT+30% Glass Fiber(UL 94V-0),Black  
 Contact Material: Brass  
 Contact Finish: Gold Flash On Mating End, Tin-Lead  
 On Termination End, With Entire  
 Contact Nickel Underplated  
 Shell Finish: Steel Nickel Plated

**SPECIFICATIONS**

Current Rating: 2 Amps  
 Dielectric Withstanding Voltage: 1000V Per Minute  
 Insulation Resistance: 1000 Megohms Min. At 500V DC  
 Contact Resistance: 15 Milliohms Max. 10 Seconds  
 Operating Temperature: -55°C To +105°C



**4UCON** 元化興業股份有限公司  
 4UCON TECHNOLOGY INC.

DRAWING No.		APPROVED BY		UNLESS OTHERWISE SPECIFIED TOLERANCES ARE .X ±0.25 .XX ±0.15 .XXX ±0.05 ANG. ±2°
15774		MEI		
		CHECKED BY		
		BECKY		
		DRAWING BY		UNIT mm
		HZF		
SCALE	NONE	REV.	A0	

NO. REV.	A0	NEW RELEASE	BECKY	2004/10/01
		REVISIONS	CHK	DATE