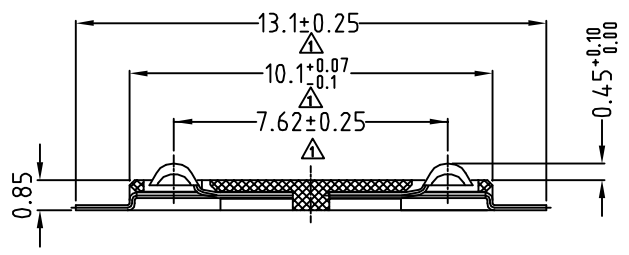
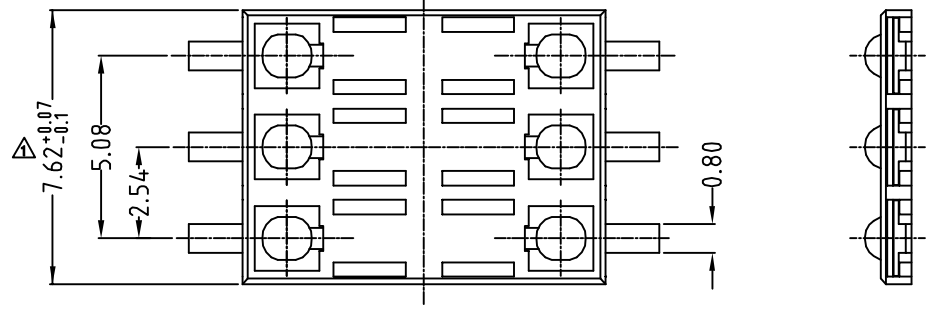


(.XX ±0.05 For PCB)
Reference PCB Layout

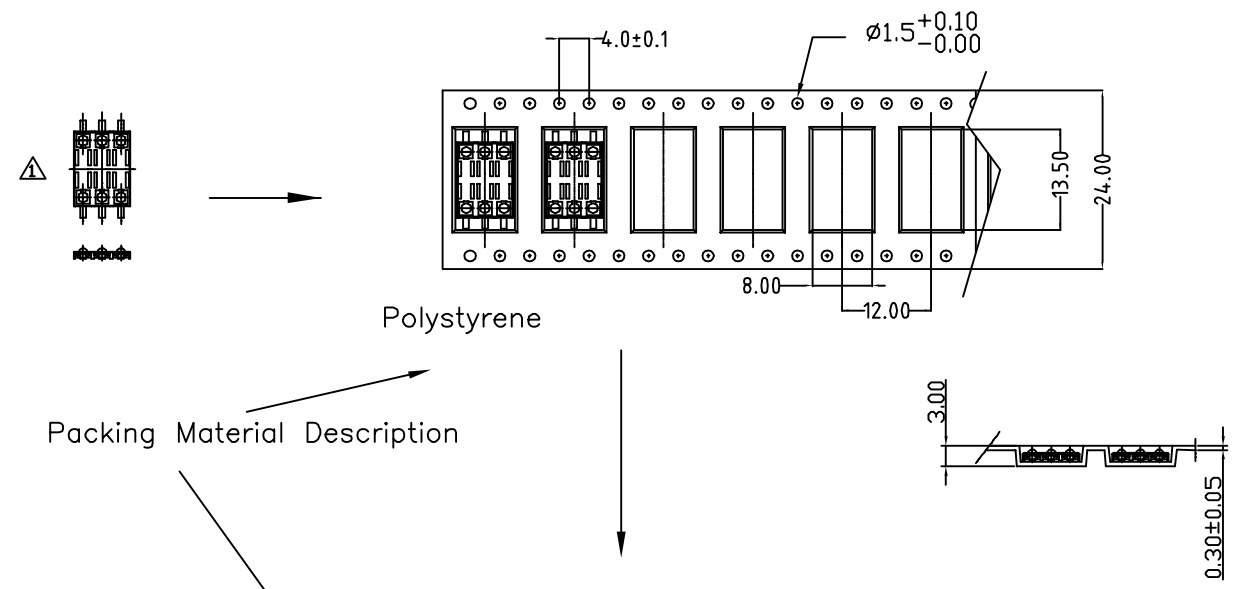
- Specifications:
- General Information
 - Contact Principle : Friction Technology
 - Mounting Type : SMT
 - Data Contact Material : Copper Alloy
 - Insulator Material : Thermoplastic UL94V-0
 - Data Contacts Plating : Gold Plated Over Nickel
 - Electrical Specification
 - Contact Resistance : 50m Ohms Max.
 - Insulator Resistance : 1000M Ohms Min.
 - Dielectrical Withstanding Voltage: 500V AC
 - Voltage Rating : 30V AC R.M.S. 1 Min.(Sea Level)
 - Current Rating : 1A Max. 10uA Min.
 - Mechanical Specification
 - Contact Force : 0.2N~0.6N
 - Durability : 10,000 Cycles Min.
 - Environmental Specification
 - Operating Temperature : -20°C~+70°C
 - Operating Humidity : 20%~95% RH
 - Solderability : Manual Soldering : 360°C 3 Sec. Max.
Vapor Phase : 215°C 30 Sec. Max.
IR Re-flow : 260°C 15 Sec. Max.
- .RoHS compliant



4UCON 元化興業股份有限公司
4UCON TECHNOLOGY INC.

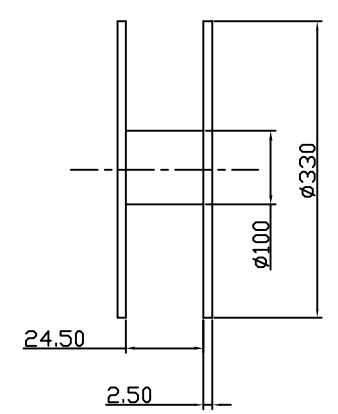
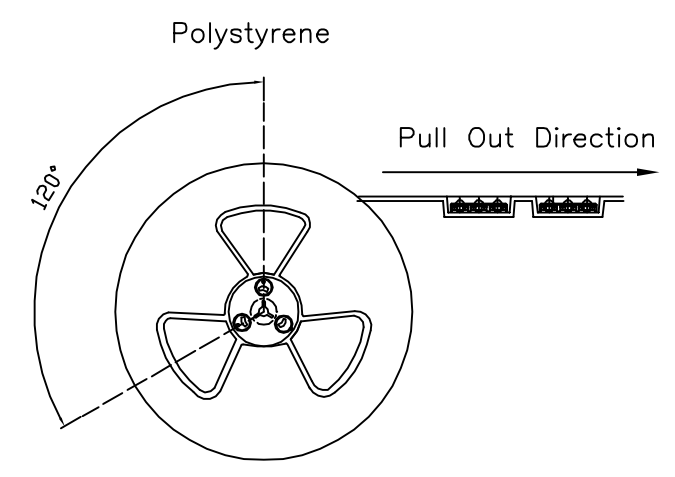
DRAWING No.		APPROVED BY		UNLESS OTHERWISE SPECIFIED	
15866		MEI		TOLERANCES ARE	
		CATHY		.X ±0.38	
		DRAWING BY		.XX ±0.25	
		QXQ		ANG. ±1°	
SCALE	NONE	REV.	A1	UNIT	mm

1	A1	ADD REEL PACKING & TOLERANCE	QXQ	10/25/2010
0	A0	NEW RELEASE	XSH	11/23/2007
NO.	REV.	REVISIONS	CHK	DATE



Specifications:
 Reel Size : 330*24.5 mm
 QTY : 2000Pcs/Reel
 RoHS Compliant

Packing Material Description



4UCON 元化興業股份有限公司
 4UCON TECHNOLOGY INC.

DRAWING No.		APPROVED BY		UNLESS OTHERWISE SPECIFIED TOLERANCES ARE	
15866		QXQ			
		CATHY			
		DRAWING BY		.X ±0.25	
		QXQ		.XX ±0.10	
				ANG.	
SCALE	NONE	REV.	A1	UNIT	mm

NO.	REV.	REVISIONS	CHK	DATE
△	A1	ADD REEL PACKING & TOLERANCE	QXQ	10/25/2010
△	A0	NEW RELEASE	XSH	11/23/2007