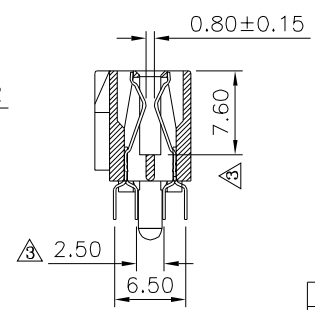
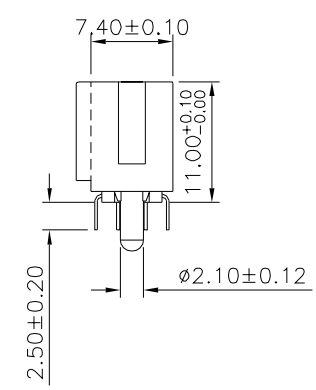
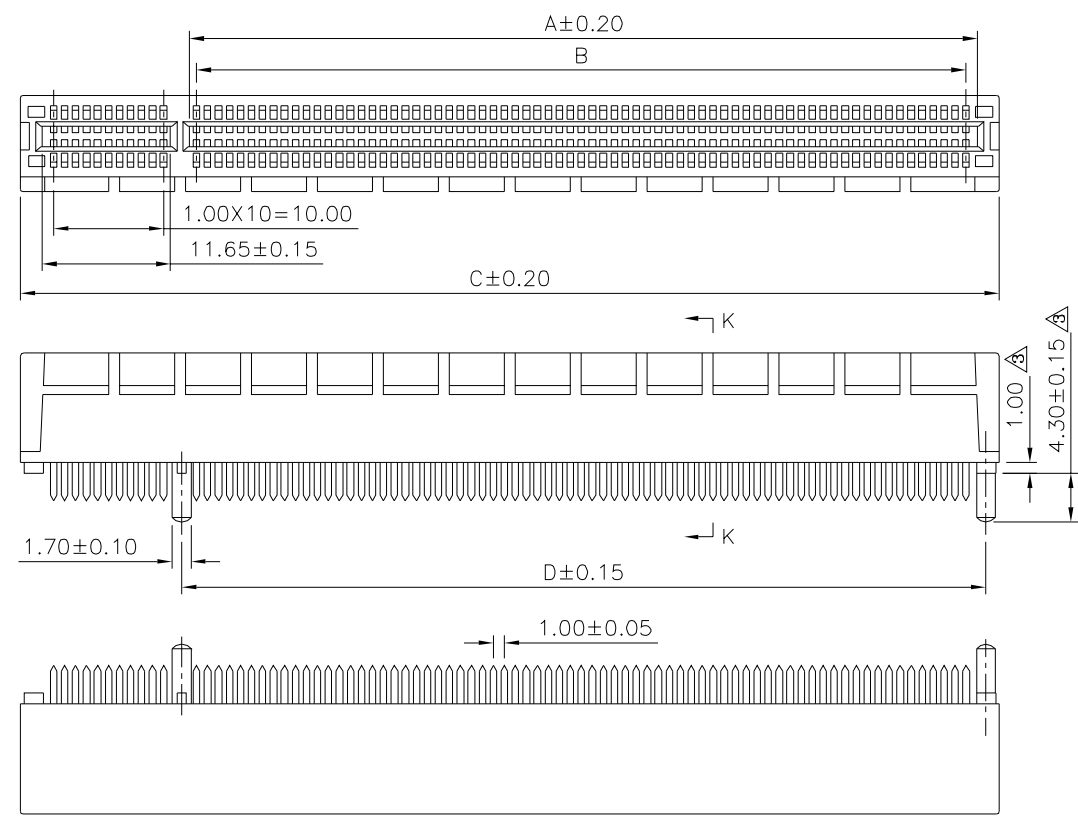


△ SPECIFICATION
 Withstand Voltage:500V AC For 1 Minute
 Contact Resistance:30 Milliohms Max.
 Insulation Resistance:1000 Megaohms Min.
 Operation Temperature Range:-55°C~+85°C
 Contact Insertion Force:0.115Kg Max. Per Contact Pair
 Contact Withdrawal Force:0.015Kg Min. Per Contact Pair
 Terminal Retention Force(In Housing):0.5Kg Min. Per Terminal
△ Housing:PA66(UL94V-0),Black
△ Contact:Brass
 Gold Flash On Contact Area
 Tin Plated On Solder Tails,Over Nickel
 RoHS Compliant



Pin	A	B	C	D
36	7.65	6.00	25.00	9.15
64	21.65	20.00	39.00	23.15
98	38.65	37.00	56.00	40.15
164	71.65	70.00	89.00	73.15

4UCON 元化興業股份有限公司
 4UCON TECHNOLOGY INC.

DRAWING No. 15937		APPROVED BY MEI		UNLESS OTHERWISE SPECIFIED TOLERANCES ARE .X ±0.20 .XX ±0.10 .XXX ±0.001 ANG. ±3°
		CHECKED BY HZF		
		DRAWING BY CYP		
SCALE	NONE	REV.	A3	UNIT mm

NO.	REV.	REVISIONS	CHK	DATE
△A3		Modify Data	HZF	11/27/2019
△A2		Modify Data	HZF	02/22/2012
△A1		Modify Data	HZF	05/20/2011
△A0		NEW RELEASE	HZF	07/07/2008