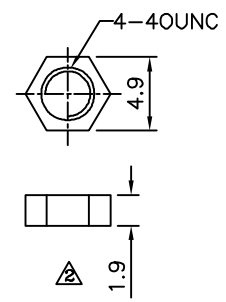
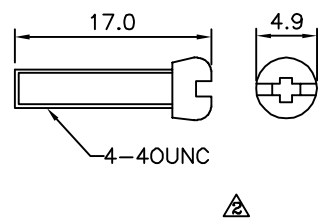
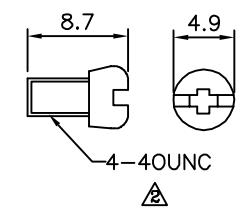
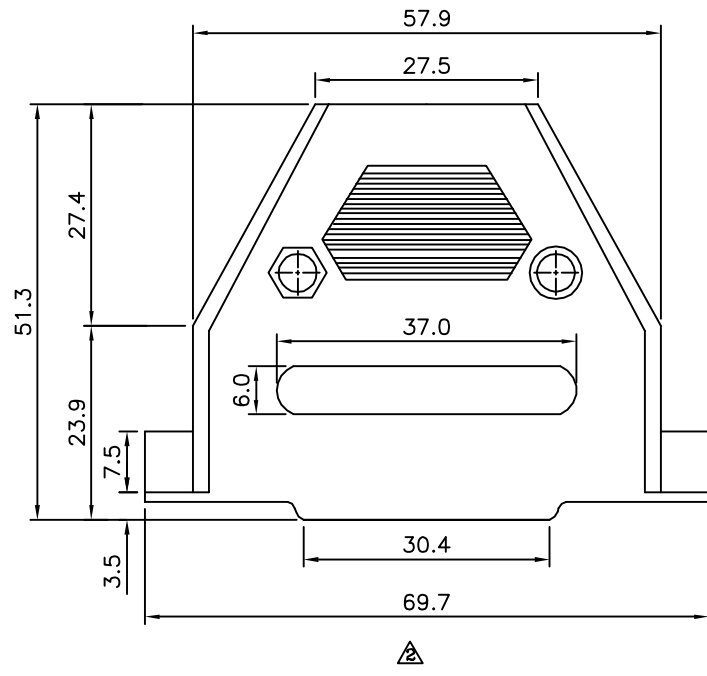
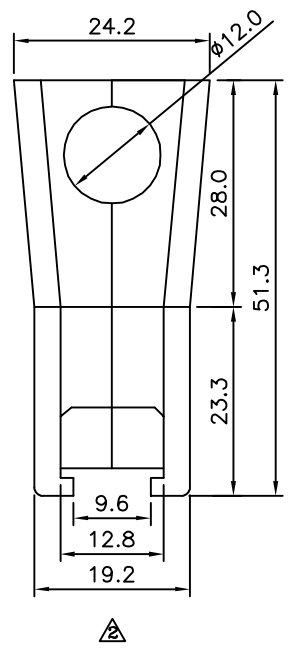


SPECIFICATION
 Insulator:ABS(UL94HB)
 Screw,Nut & SR:Steel,Nickel Plated
 Packing:1 Set/Bag
 RoHS Compliant

| | |
|----------------------|----------|
| Hood Insulator Color | Item No. |
| Chromate Plated | 19457 |
| Gray | 16162 |



4UCON 元化興業股份有限公司
 4UCON TECHNOLOGY INC.

| | | | | |
|-------------|------|----------------|----|---|
| DRAWING No. | | APPROVED BY | | UNLESS OTHERWISE SPECIFIED TOLERANCES ARE X. ±0.5 .X ±0.3 .XX ±0.2 ANG. ±5° |
| 16162 | | EMILY | | |
| | | CHECKED BY HZF | | |
| | | DRAWING BY SAN | | |
| SCALE | NONE | REV. | A2 | UNIT mm |

| NO. | REV. | REVISIONS | CHK | DATE |
|-----|------|-------------|-----|------------|
| △A2 | | Modify Data | HZF | 07/16/2014 |
| △A1 | | Modify Data | HZF | 12/10/2008 |
| △A0 | | NEW RELEASE | HZF | 02/07/2008 |