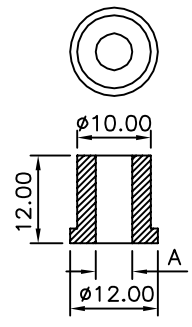
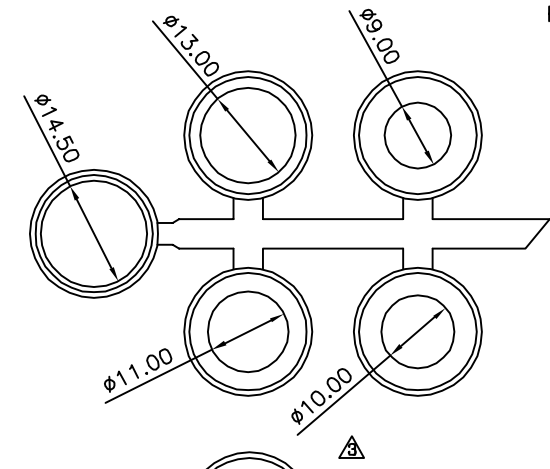
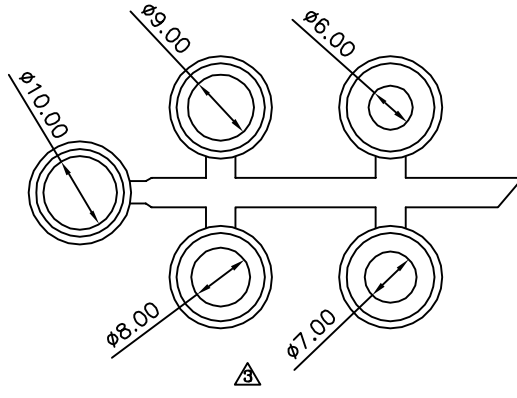
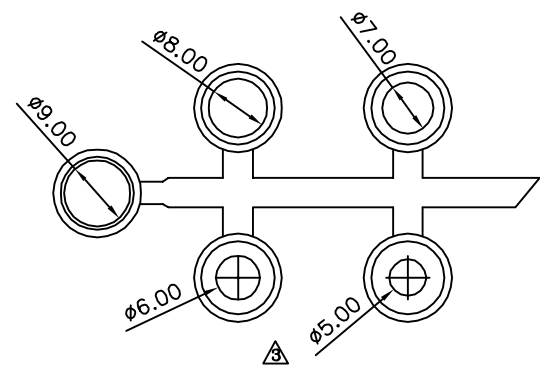
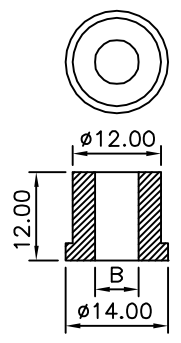


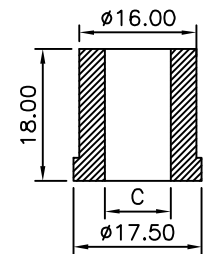
△ SPECIFICATION
 Insulator: TPR,Black
 RoHS Compliant



△ For 09/15 Pin



△ For 25 Pin



△ For 37/50 Pin

△ P/N	Pin	Cable Outlet Position	Grommet Diameter				
			A	B	C	D	E
16165	09	10	A: 5.00	6.00	7.00	8.00	9.00
16166	15	10	A: 5.00	6.00	7.00	8.00	9.00
16168	25	13 △	B: 6.00	7.00	8.00	9.00	10.00
13209	37	16	C: 9.00	10.00	11.00	13.00	14.50
16167	50	16	C: 9.00	10.00	11.00	13.00	14.50

4UCON 元化興業股份有限公司
 4UCON TECHNOLOGY INC.

DRAWING No.		APPROVED BY		UNLESS OTHERWISE SPECIFIED TOLERANCES ARE △ .X ±0.30 .XX ±0.20 ANG. ±2°
16165		MEI		
		CHECKED BY	HZF	
		DRAWING BY	CYP	
SCALE	NONE	REV.	A3	UNIT mm

△ A3	Modify Data	HZF	01/05/2016
△ A2	Modify 13----12	HZF	11/20/2008
△ A1	Modify Data	BECKY	05/09/2006
△ A0	NEW RELEASE	BECKY	
NO. REV.	REVISIONS	CHK	DATE