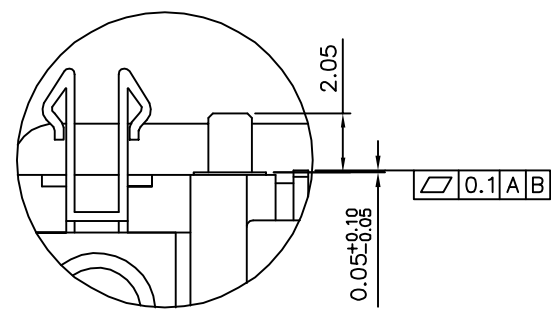
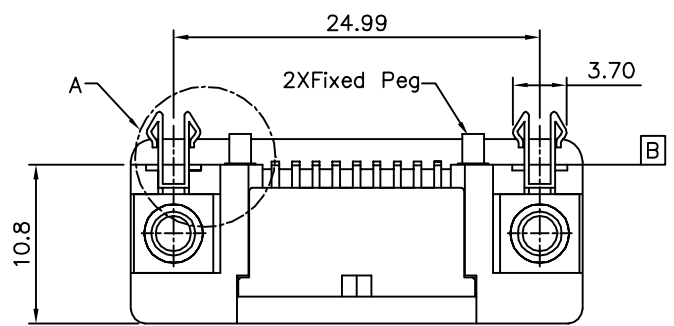
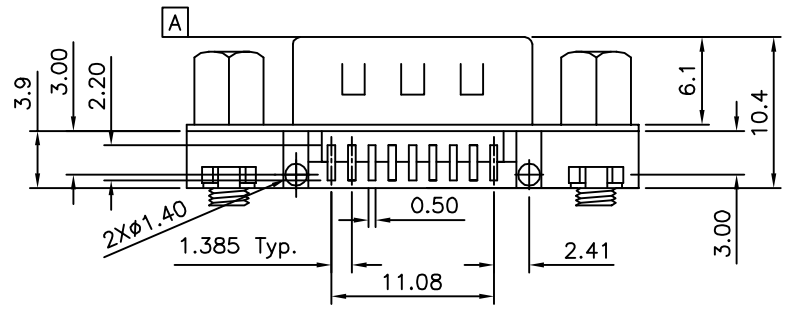


SPECIFICATION
 Current Rating:1.0A DC
 Voltage Rating:300V DC
 Withstand Voltage:500V AC For 1 Minute
 Contact Resistance:30 Milliohms Max.(Initial)
 Insulation Resistance:1000 Megaohms Min.
 Operation Temperature:-55°C~+85°C
 Storage Temperature:-55°C~+105°C
 Housing:PA6T+30%G.F.(UL94V-0),Black
 Terminal:Phosphor Bronze
 Gold Flash On Contact Area,
 Tin Plated On Solder Tails,Over Nickel
 Metal Shell:SPCC,Nickel Plated Over Copper
 Boardlock:Brass,Tin Plated
 Rivet&Screw:Brass,Nickel Plated
 RoHS Compliant

Pin Number:5 9 4 8 3 7 2 6 1

Recommended PCB Layout (Top View)
 PCB Thickness:1.60±0.05mm(Tolerance:±0.05)



4UCON 元化興業股份有限公司
 4UCON TECHNOLOGY INC.

DRAWING No.		APPROVED BY		UNLESS OTHERWISE SPECIFIED TOLERANCES ARE .X ±0.30 .XX ±0.20 .XXX ±0.10 ANG. ±3°
17566		EMILY		
		CHECKED BY		
		HAO		
		DRAWING BY		
		BO		
SCALE	NONE	REV.	BO	UNIT mm

NO.	REV.	REVISIONS	CHK	DATE
△ BO		NEW RELEASE	HZF	09/22/2015