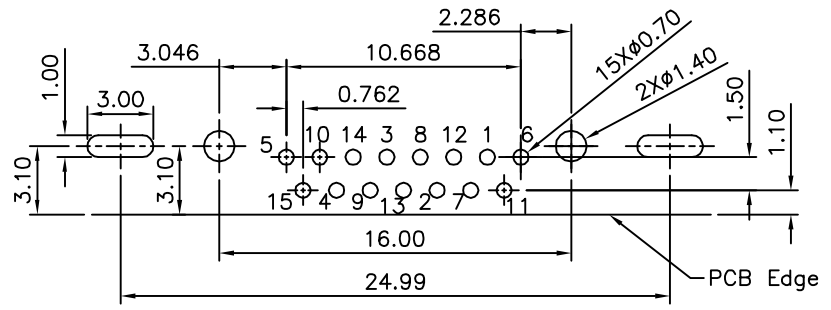
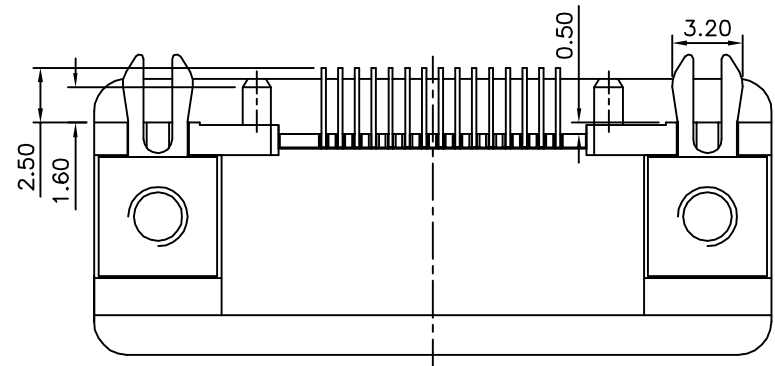
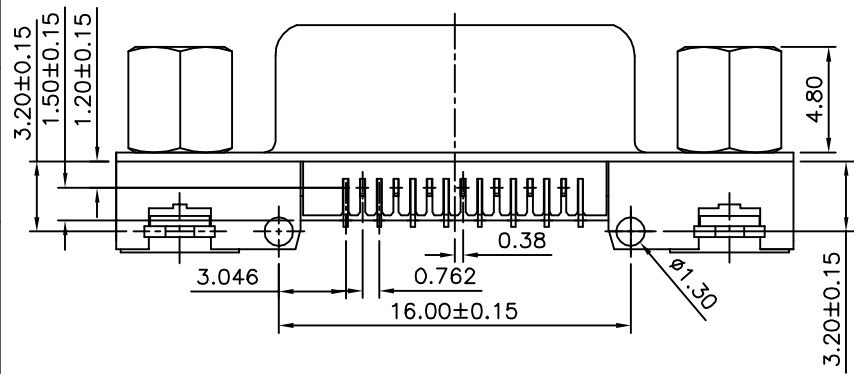


SPECIFICATION
 Voltage:250V AC RMS Max.
 Current Rating:3 Amperes Per Contact
 Dielectric Withstanding Voltage:500V AC RMS
 Insulation Resistance:1000 Megaohms Min.
 Contact Resistance:25 Milliohms Max.
 Operating Temperature:-55°C~+85°C.
 Total Mating Force:6.0 Kgf Max.
 Total Unmating Force:1.2 Kgf Min.
 Terminal:Brass,Gold Flash On Contact Area
 Tin Plated On Solder Tails,Over Nickel
 Housing:PBT(UL94V-0),Black
 Rivet:Copper Alloy,Nickel Plated
 Shell:SPCC,Nickel Plated
 Boardlock:Copper Alloy,Tin Plated
 Screw:Copper Alloy,Nickel Plated
 RoHS Compliant



4UCON 元化興業股份有限公司
 4UCON TECHNOLOGY INC.

DRAWING No.		APPROVED BY		UNLESS OTHERWISE SPECIFIED TOLERANCES ARE .XX ±0.25 .XXX ±0.13 ANG. ±2°
17775		EMILY		
		CHECKED BY		
		HZF		
		DRAWING BY		
		SONG		
SCALE	NONE	REV.	A0	UNIT mm

NO.	REV.	REVISIONS	CHK	DATE
△ A0		NEW RELEASE	HZF	07/02/2013