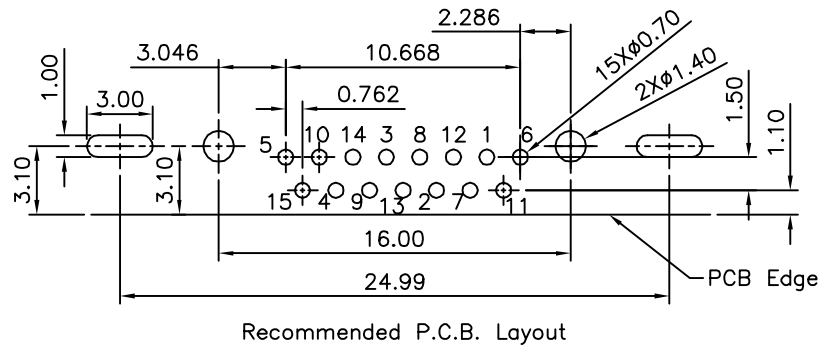
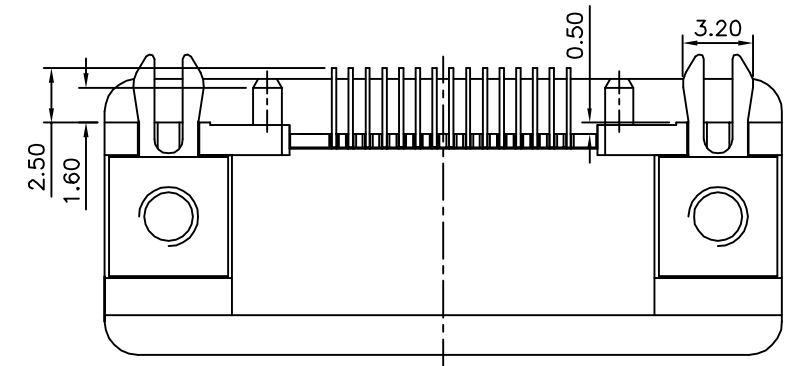
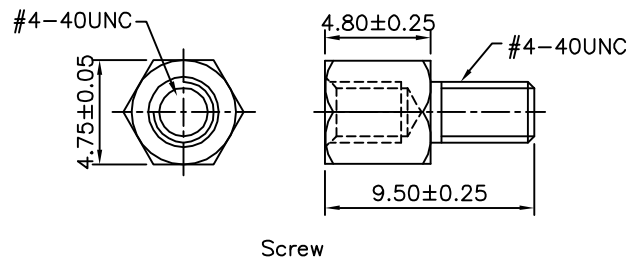
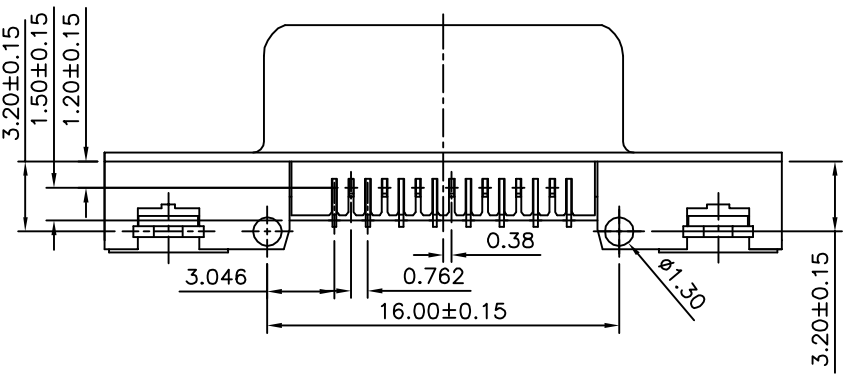


**SPECIFICATION**  
 Voltage:250V AC RMS Max.  
 Current Rating:3 Amperes Per Contact  
 Dielectric Withstanding Voltage:500V AC RMS  
 Insulation Resistance:1000 Megaohms Min.  
 Contact Resistance:25 Milliohms Max.  
 Operating Temperature:-55°C~+85°C.  
 Total Mating Force:6.0 Kgf Max.  
 Total Unmating Force:1.2 Kgf Min.  
 Terminal:Brass,Gold Flash On Contact Area  
 Tin Plated On Solder Tails,Over Nickel  
 Housing:PBT(UL94V-0),Black  
 Rivet:Copper Alloy,Nickel Plated  
 Shell:SPCC,Nickel Plated  
 Boardlock:Copper Alloy,Tin Plated  
 Screw:Copper Alloy,Nickel Plated  
 RoHS Compliant



**4UCON** 元化興業股份有限公司  
 4UCON TECHNOLOGY INC.

DRAWING No.		APPROVED BY		UNLESS OTHERWISE SPECIFIED TOLERANCES ARE .XX ±0.25 .XXX ±0.13 ANG. ±2°
17776		EMILY		
		CHECKED BY		
		HZF		
		DRAWING BY		
		SONG		
SCALE	NONE	REV.	A0	UNIT mm

NO.	REV.	REVISIONS	CHK	DATE
△ A0		NEW RELEASE	HZF	07/02/2013