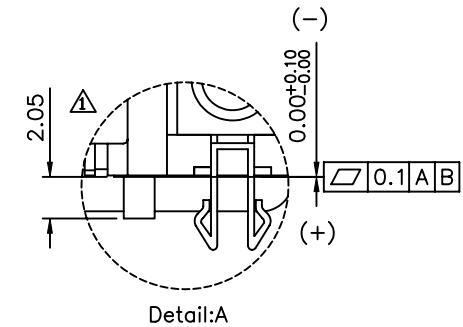


Pin Number
 5 9 4 8 3 7 2 6 1
 Recommended PCB Layout
 Recommended PCB Thickness: 1.60±0.05mm



△ SPECIFICATION
 Housing: PA6T 30% Glass Filled (UL94V-0), Black
 Terminal: Phosphor Bronze
 Contact Area: Selective Gold Plated
 Solder Tail: Tin Plated
 Under Plated: Nickel
 Metal Shell: SPCC, Nickel Plated Over Copper
 Board Lock: Brass, Tin Plated
 Nut: Brass, Nickel Plated
 RoHS Compliant

4UCON 元化興業股份有限公司
 4UCON TECHNOLOGY INC.

DRAWING No.		APPROVED BY		UNLESS OTHERWISE SPECIFIED TOLERANCES ARE △ .X ±0.25 .XX ±0.15 .XXX ±0.08 ANG. ±1°
17822		MEI		
		HZF		
		DRAWING BY		UNIT mm
		HYY		
SCALE	NONE	REV.	A1	

△ A1	Modify Data	HZF	08/26/2009
△ A0	NEW RELEASE		
NO. REV.	REVISIONS	CHK	DATE