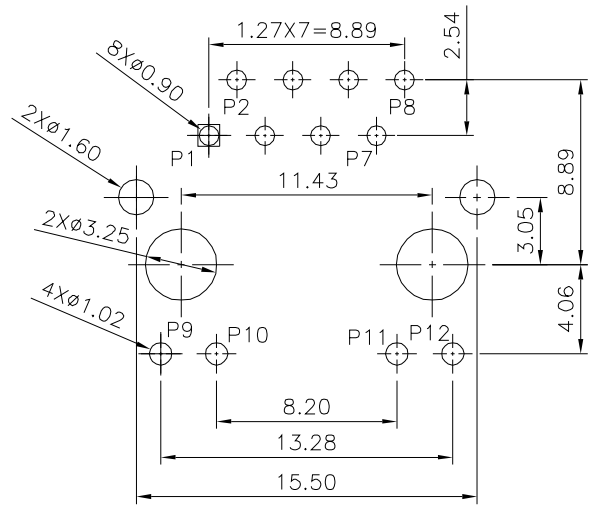
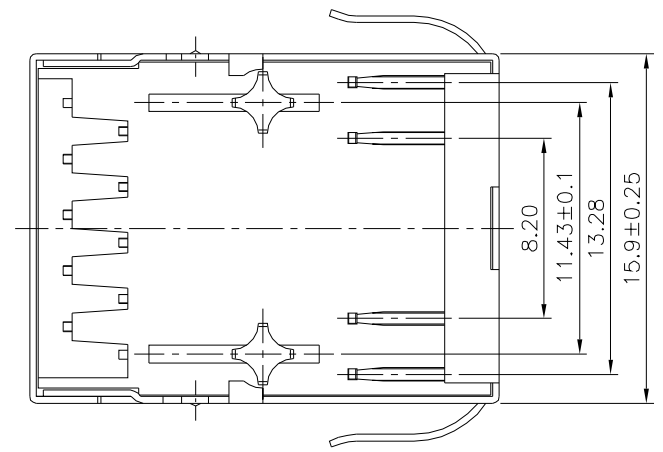
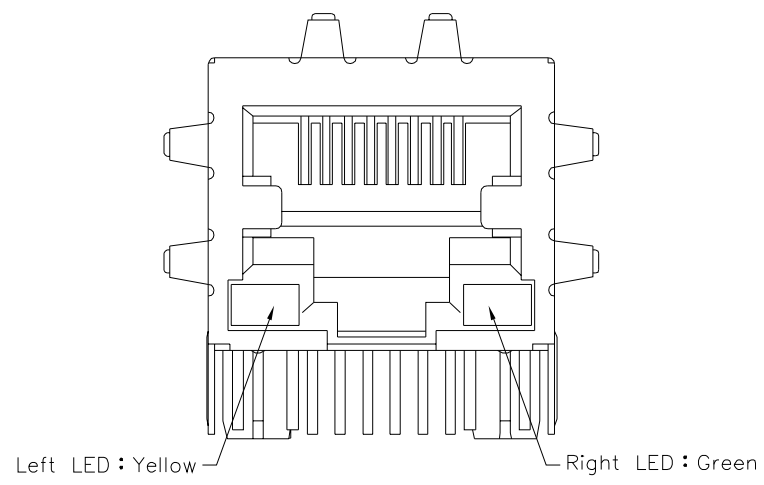
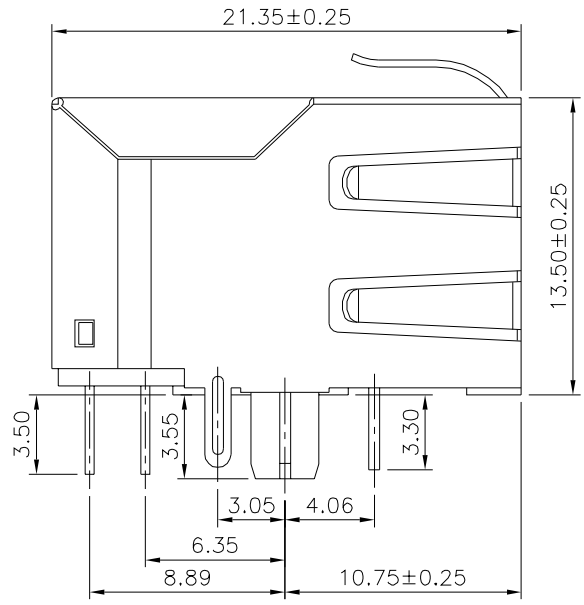


△ SPECIFICATION

Housing:PA66(UL94V-0),Black
 Inserter:PBT(UL94V-0),Black
 Contact:Phosphor Bronze
 Gold Plated 06u" On Contact Area,Tin Plated
 On Solder Tails,Over Nickel
 Shield:Brass,Nickel Plated
 Pin Not Electrically Connected Maybe Omitted See
 Electrical Drawing For Omitted Pins
 RJ45 Cavities Conform To FCC Rules And Regulation
 Part 68.
 Operating Temperature:0°C~+70°C
 Storage Temperature:-40°C~+85°C
 RoHS Compliant



PCB Recommended Hole Layout Seen From Component Side All Centerline Dimensions Are Basic

LED Color					
Code	Forward	Reverse	Code	Forward	Reverse
A	Green	Red	J	Green	Orange
C	Green	Yellow(Amber)	K	Black	---
D	Yellow	Red	L	Lime	---
E	Yellow	Green	M	Orange	Green
F	Red	Green	N	Amber	---
G	Green	---	O	Orange	---
H	Red	Yellow	R	Red	---
I	Beige	---	Y	Yellow	---

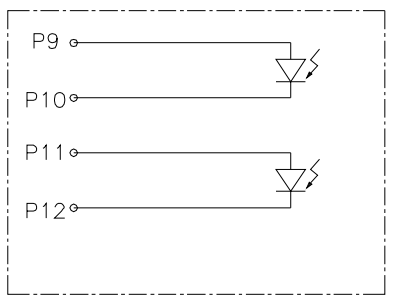
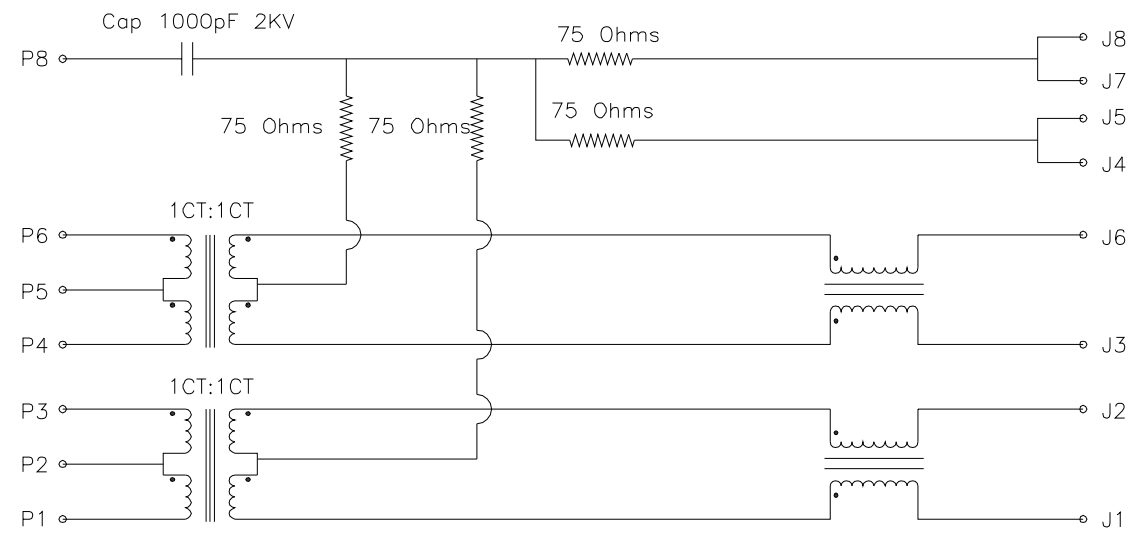
4UCON 元化興業股份有限公司
 4UCON TECHNOLOGY INC.

DRAWING No.		APPROVED BY		UNLESS OTHERWISE SPECIFIED TOLERANCES ARE .X ±0.25 .XX ±0.25 ANG.
17897		MEI		
		CHECKED BY HZF		
SCALE NONE		DRAWING BY CYP		UNIT mm
REV.	B1	NO. REV.		REVISIONS

△ B1	Modify Data	HZF	04/06/2016
△ B0	NEW RELEASE	HZF	09/23/2013
NO. REV.	REVISIONS	CHK	DATE

ELECTRICAL SPECIFICATION @25°C

- 1.0 Turn Ratio:(P1~P3):(J1~J2):1:1±3%
(P4~P6):(J3~J6):1:1±3%
 - 2.0 Inductance:(P1~P3)&(P4~P6):350uH Min. @ 0.1V 100 KHz
8mA DC Bias
 - 3.0 Leakage Inductance:P1~P3(With J1 And J2 Short):0.35uH Max. @1 MHz
P4~P6(With J3 And J6 Short):0.35uH Max. @1 MHz
 - 4.0 Interwinding Capacitance:(P1~P3):(J1~J2):35pF Max. @ 1 MHz
(P4~P6):(J3~J6):35pF Max. @ 1 MHz
 - 5.0 DC Resistance:(J1~J2):(J3~J6):1.2 Ohms Max.
 - 6.0 Return Loss:1 MHz~30 MHz:-18dB Min.
30 MHz~60 MHz:-(18-20log(f/30))dB Min.(Where F Is In MHz)
60 MHz~80 MHz:-12dB Min.
 - 7.0 Dielectric Withstand:(P1~P3):(J1~J2):1500V AC Or 2250V DC
(P4~P6):(P3~P6):1500V AC Or 2250V DC
 - 8.0 Insertion Loss:100 KHz~100 MHz:-1.2dB Max.
 - 9.0 Cross Talk:1 MHz~100 MHz:-30dB Min.
 - 10.0 Common To Common Mode Attenuation:1 MHz~100 MHz:-30dB Min.
- RoHS Compliant



LED Color Option

Left LED Single Color Right LED Single Color	Left LED Single Color Right LED Dual Color	Left LED Dual Color Right LED Single Color	Left LED Dual Color Right LED Dual Color
P9 P10	P9 P10	P9 P10	P9 P10
P11 P12	P11 P12	P11 P12	P11 P12

*F:Forward ; R:Reverse

4UCON 元化興業股份有限公司
4UCON TECHNOLOGY INC.

DRAWING No.		APPROVED BY		UNLESS OTHERWISE SPECIFIED TOLERANCES ARE .X ±0.38 .XX ±0.25 ANG.
17897		MEI		
		HZF		
		DRAWING BY		
		CYP		
SCALE	NONE	REV.	B1	UNIT mm

NO.	REV.	REVISIONS	CHK	DATE
△	B1	Modify Data	HZF	04/06/2016
△	B0	NEW RELEASE	HZF	09/23/2013