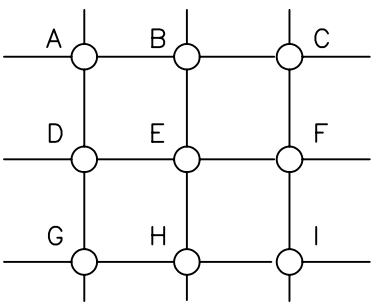
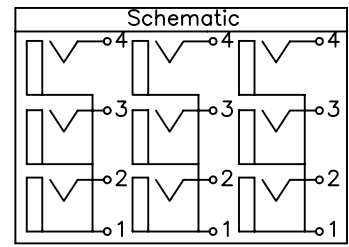
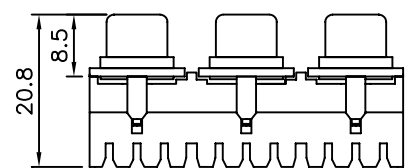
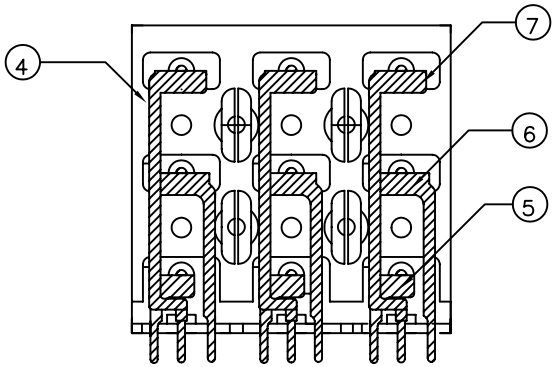
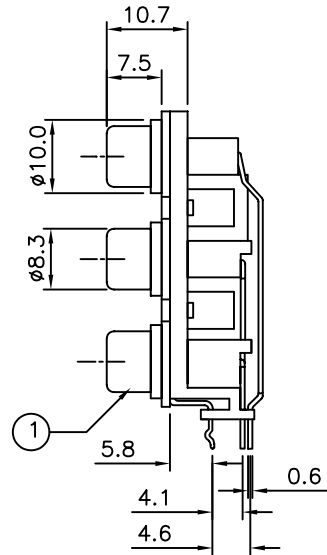


PCB Layout (Bottom View)



Insert Ring Colors

Part No.	Ring Color								
	A	B	C	D	E	F	G	H	I
18127	Yellow	Yellow	Yellow	White	White	White	Red	Red	Red
18128	Yellow	Yellow	Yellow	Red	Red	Red	White	White	White

No.	Name	Material	Finish	Q'TY
1	Barrel	Brass T:0.4	Nickel Plated	3
2	Insert Ring	PBT G.F.		9
3	Retainer	ABS	Black	3
4	Housing	ABS	Yellow	1
5	Terminal	Brass T:0.5	Tin Plated	3
6	Terminal	Brass T:0.5	Tin Plated	3
7	Terminal	Brass T:0.5	Tin Plated	3

4UCON 元化興業股份有限公司
4UCON TECHNOLOGY INC.

DRAWING No.
18127

APPROVED BY
MEI
CHECKED BY
HZF
DRAWING BY
PEGA

UNLESS OTHERWISE SPECIFIED TOLERANCES ARE
.X ±0.3

SCALE NONE

REV. A0

UNIT mm

NO. REV. A0 NEW RELEASE
REVISIONS
CHK HZF
DATE 10/02/2006