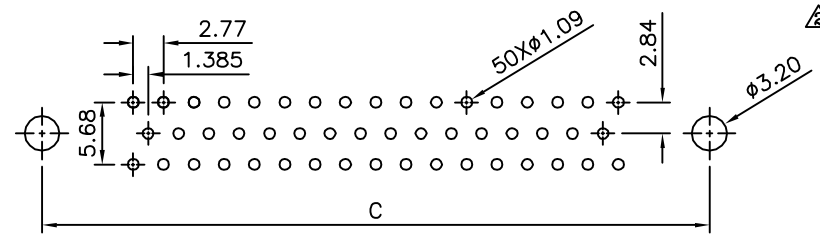


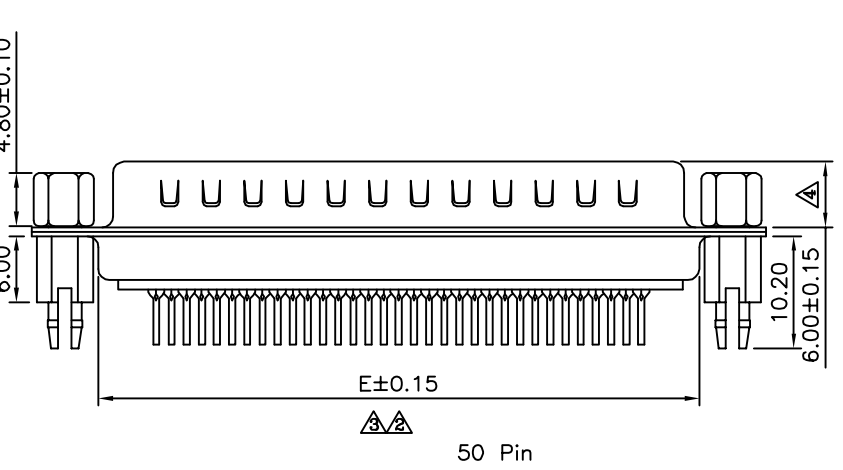
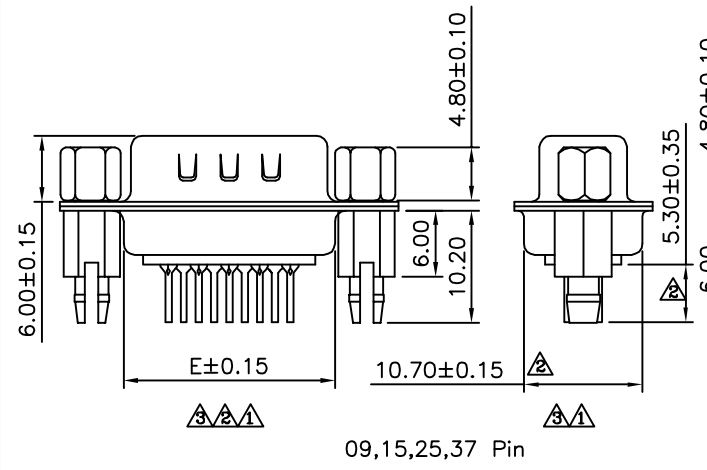
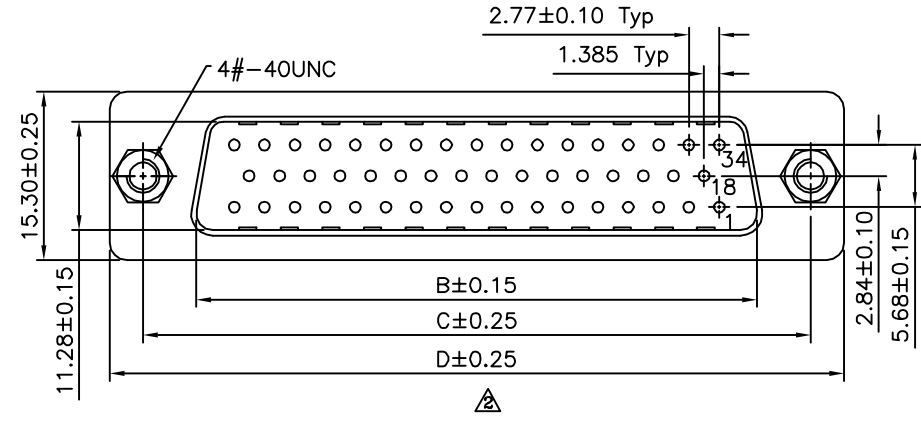
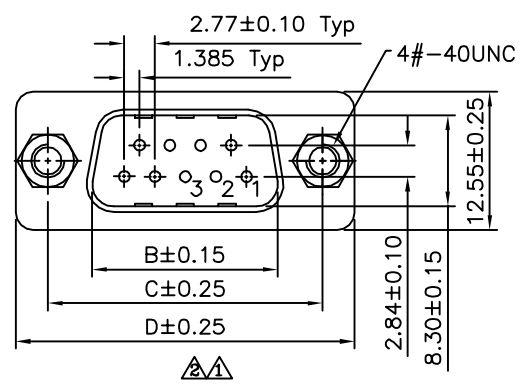
Recommended P.C.B. Layout



Recommended P.C.B. Layout

SPECIFICATION

Current Rating: 1 Amp
 Withstanding Voltage: 1000V (One Minute)
 Contact Resistance: 20 Milliohms Max.
 Insulation Resistance: 1000 Megaohms Min.
 At 500V DC
 Operation Temperature: -50°C ~ +105°C
 Insulator: PBT+30%G.F. (UL94V-0), Black
 Contact: Brass
 Gold Flash On Contact Area,
 Tin Plated On Solder Tails, Over Nickel
 Shell: SPCC, Front: Nickel Plated, Rear: Tin Plated
 Screw: 12L14, Nickel Plated
 Boardlocks: Copper Alloy, Tin Plated
 RoHS Compliant



Pin	B	C	D	E
09	16.92	24.99	30.81	19.20
15	25.25	33.32	39.20	27.70
25	38.96	47.04	53.04	41.10
37	55.42	63.50	69.40	57.30
50	52.81	61.00	67.00	55.10

4UCON

元化興業股份有限公司
 4UCON TECHNOLOGY INC.

DRAWING No.		APPROVED BY		UNLESS OTHERWISE SPECIFIED TOLERANCES ARE .X ±0.38 .X' ±3' .XX ±0.25 .XX' ±1' .XXX ±0.05 .XXX' ±0.5'	A4 Modify Spec. A3 Modify Data A2 Modify Data A1 Modify P/N: DDXXPZJ --> DDXXPZJ-XX-SXX-H, Add: 09P.BK A0 NEW RELEASE	HZF 04/11/2014 HZF 04/10/2013 HZF 12/01/2011 HZF 02/24/2011 HZF 06/26/2007	NO. REV. REVISIONS CHK DATE
18173		MEI					
SCALE NONE		HZF					
REV.	A4	DRAWING BY	SAN	UNIT	mm		