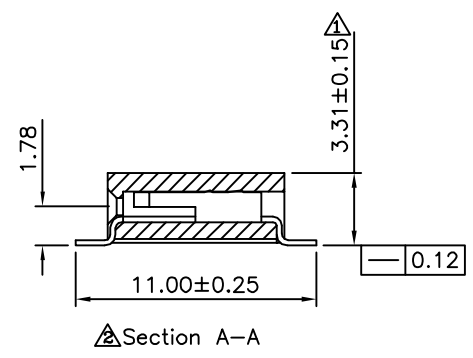
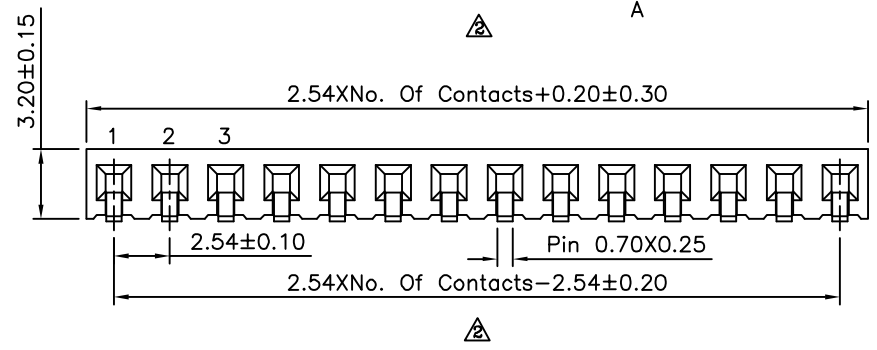
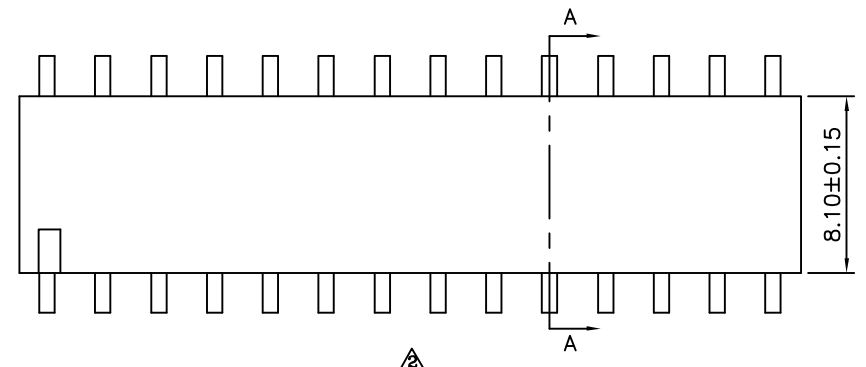


Recommended P.C.B. Layout(Top Side)  
(PCB Board Tolerance±0.05)



**SPECIFICATION**

- Current Rating:3.0 Amp
- △ Withstand Voltage:1000V AC/DC
- Contact Resistance:20 Milliohms Max.
- Insulation Resistance:1000 Megaohms Min.
- Operation Temperature:-40°C~+105°C
- Contact:Phosphor Bronze,Gold Plated Over Nickel
- △ Insulator:PA9T+30%G.F.(UL94V-0),Black
- RoHS Compliant

**4UCON** 元化興業股份有限公司  
4UCON TECHNOLOGY INC.

DRAWING No.		APPROVED BY		UNLESS OTHERWISE SPECIFIED TOLERANCES ARE .X ±0.40 .XX ±0.25 .XXX ±0.15 ANG. ±3°
18474		EMILY		
		CHECKED BY		
		HZF		
		DRAWING BY		UNIT mm
		GAO		
SCALE	NONE	REV.	A2	

NO.	REV.	REVISIONS	CHK	DATE
△ A2		Modify Data	HZF	03/20/2013
△ A1		Modify Data	HZF	12/16/2009
△ A0		NEW RELEASE	HZF	06/03/2009