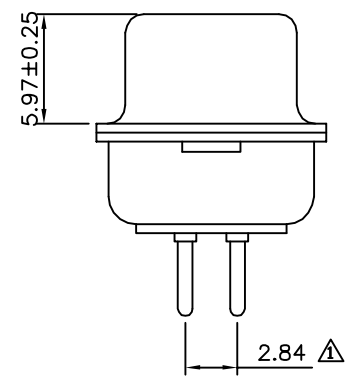
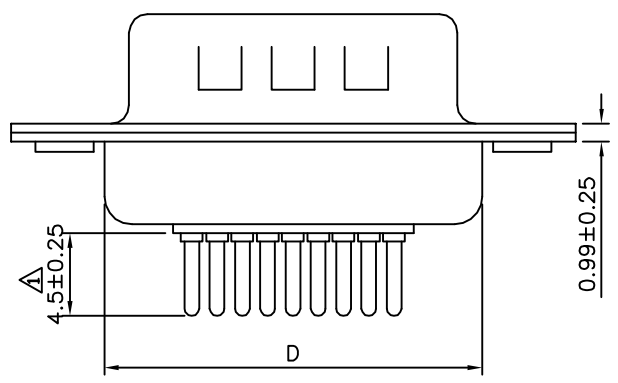


△ SPECIFICATION
 Dielectric Withstanding: Voltage 1000V AC Per Minute
 Contact Resistance: 10 Milliohms Max.
 Insulation Resistance: 5000 Megaohms Min.
 Operation Temperature: -55°C ~ +125°C
 Insulator: PBT+30%G.F.(UL94V-0)
 Contact: Brass, Gold Flash
 Metal Shell: Steel/Dimples On Plug Only,
 Nickel Plated
 RoHS Compliant



No.Of Contact	A±0.25	B±0.13	C±0.38	D±0.25	E±0.25
9	16.92	24.99	30.81	19.28	11.08
15	25.25	33.32	39.14	27.51	19.39
25	38.96	47.04	53.04	41.28	33.24
37	55.42	63.50	69.32	57.71	49.86

4UCON 元化興業股份有限公司
 4UCON TECHNOLOGY INC.

DRAWING No. 18495
 APPROVED BY MEI
 CHECKED BY HZF
 DRAWING BY QQJ
 SCALE NONE REV. A1
 UNIT mm
 UNLESS OTHERWISE SPECIFIED TOLERANCES ARE
 .X ±0.3
 .XX ±0.3
 .XXX ±0.3
 ANG: ±2°
 UNIT mm

NO.	REV.	REVISIONS	CHK	DATE
△ A1		Modify Data	HZF	04/21/2010
△ A0		NEW RELEASE	HZF	10/02/2007