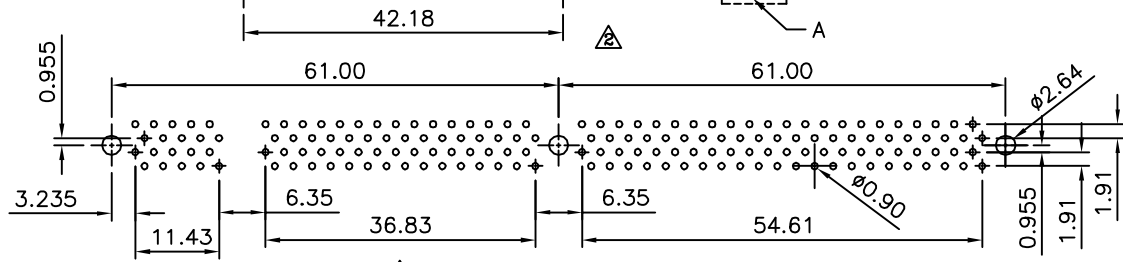
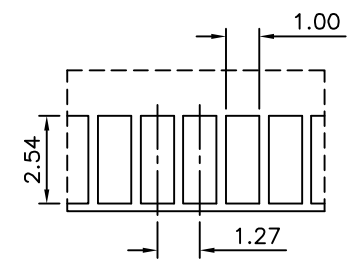
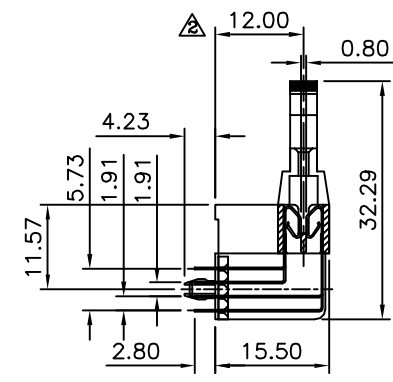
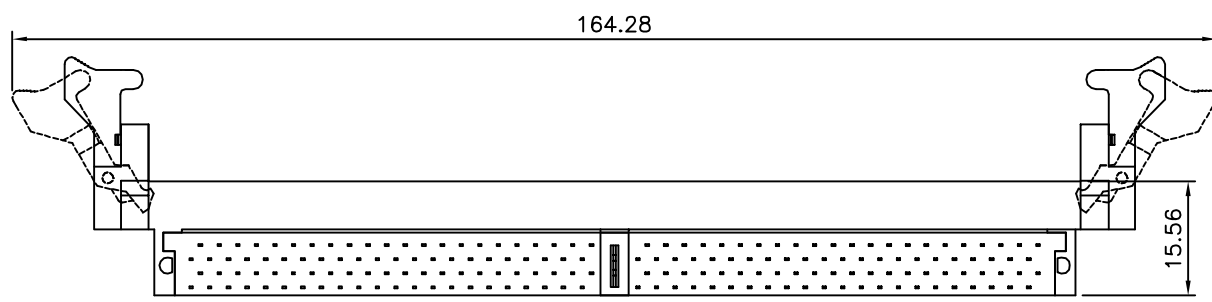
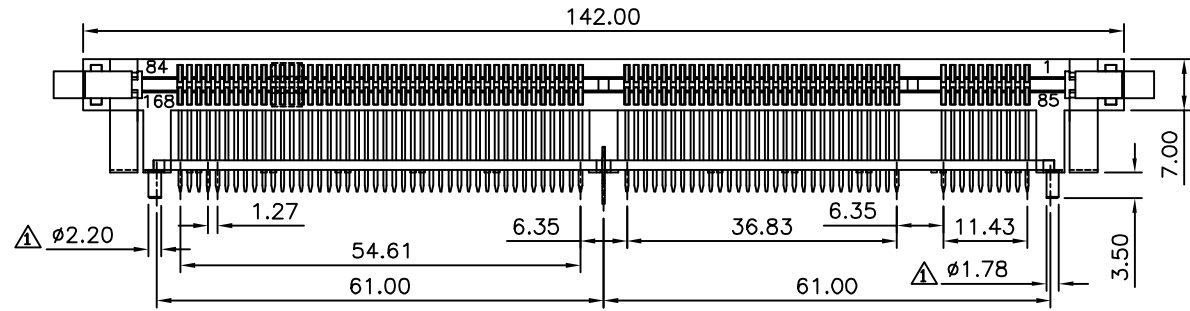


**△ SPECIFICATION**  
 Contact Current Rating:1 Amp  
 Dielectric Withstanding Voltage:1000V AC  
 Contact Resistance:30 Milliohms Max.  
 Insulation Resistance:10000 Megaohms Min. Initial  
 Operating Temperature:-55°C~+105°C  
 Capacitance:1pF Max.  
 Durability:25 Cycles Min.  
 Contact Engaging Force:65g Max. Per Contact,Initial  
 Contact Separating Force:16g Min. Per Contact,Initial  
 Body:LCP(UL94V-0)  
**△ Contact:Phosphor Bronze,Gold Plated 10u" On Contact  
 Area,Tin Plated On Solder Tails,Over Nickel**  
 Latch:PA66(UL94V-0)  
 RoHS Compliant



△ Recommended P.C.B. Layout



△ Detail A

**4UCON** 元化興業股份有限公司  
 4UCON TECHNOLOGY INC.

DRAWING No.		APPROVED BY		UNLESS OTHERWISE SPECIFIED TOLERANCES ARE X. ±0.20 .X ±0.15 .XX ±0.10 .XXX ±0.05
18496		MEI		
		HZF		
		DRAWING BY		
		CYP		
SCALE	NONE	REV.	A3	UNIT mm

NO.	REV.	REVISIONS	CHK	DATE
△ A3		Modify Data	HZF	09/01/2015
△ A2		Modify Data	HZF	12/20/2012
△ A1		Modify Data	HZF	02/05/2009
△ A0		NEW RELEASE		