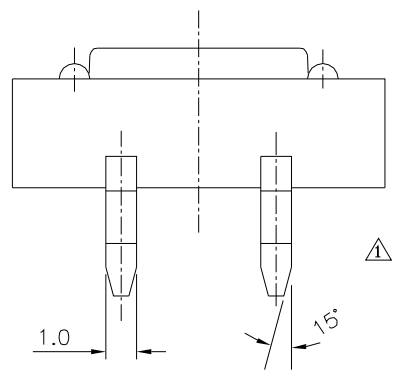
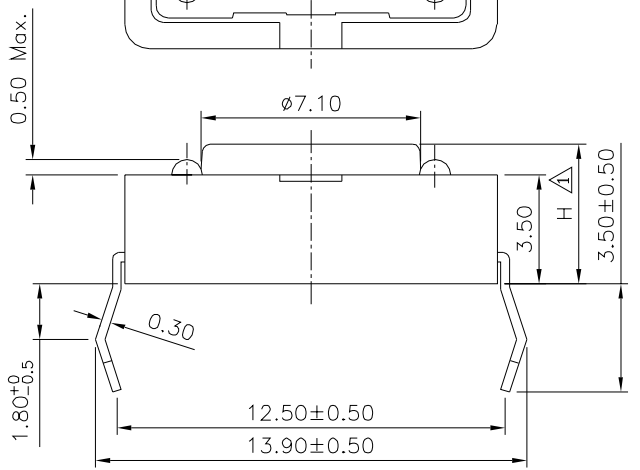
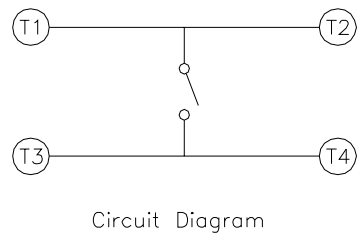
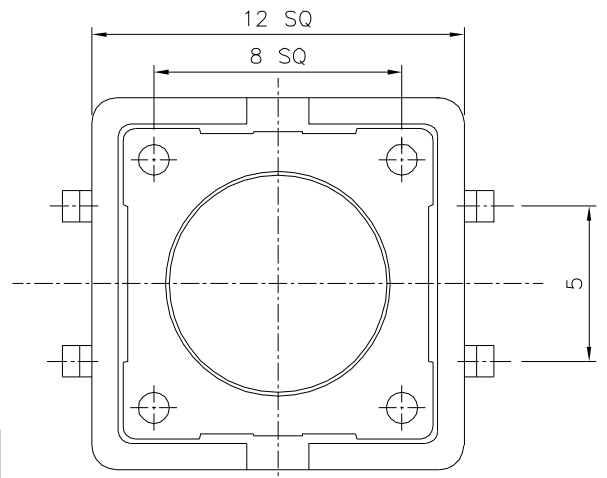


SPECIFICATION
 Current Range:50mA,12V DC
 Withstand Voltage:250V AC(50Hz Or 60Hz)
 For 1 Minute
 Contact Resistance:100 Milliohms Max.
 Insulation Resistance:100 Megaohms Min.
 Operation Temperature Range:-25°C~+70°C
 RoHS Compliant



Item No.	Stem Color & Operating Force Option	Dim H
18573	Brown,160g	4.3mm
20571	Black,160g	4.3mm

No.	Description	Material	Q'ty	Remark
①	Cover	Stainless Steel	1	
②	Stem	PA9T(UL94V-0)	1	
③	Contact	Phosphor Bronze	1	Silver Plated
④	Terminal	Brass	1	Silver Plated Over Nickel
⑤	Base	PA66(UL94V-0)	1	Black

4UCON 元化興業股份有限公司
 4UCON TECHNOLOGY INC.

DRAWING No. Δ
18573
 APPROVED BY MEI
 CHECKED BY HZF
 DRAWING BY HAO
 SCALE NONE REV. A1

UNLESS OTHERWISE SPECIFIED TOLERANCES ARE
 X. ±0.20
 .X ±0.20
 .XX ±0.20
 UNIT mm

NO.	REV.	REVISIONS	CHK	DATE
Δ	A1	Modify Data	HZF	08/23/2024
Δ	A0	NEW RELEASE	HZF	03/24/2014