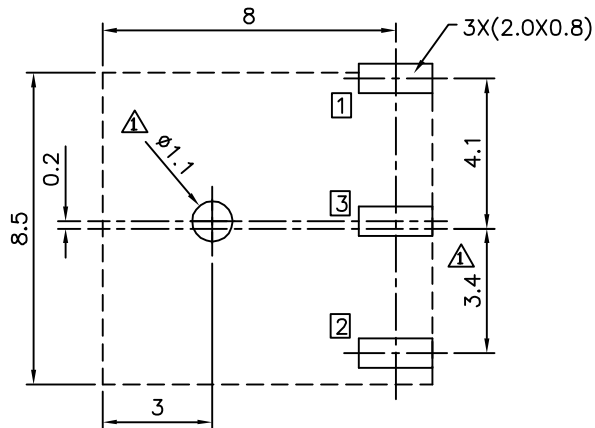
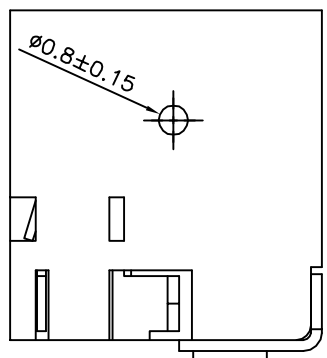
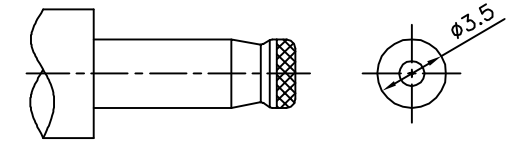
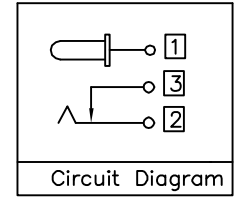


- △ SPECIFICATION**
 Rating:DC 20V,2A
 △ Contact Resistance:50 Milliohms Max.
 After Test:100 Milliohms Max.
 Insulation Resistance:100 Megaohms Min.(500V DC)
 After Test:50 Megaohms Min.
 △ Withstand Voltage:500V AC
 Insertion And Extraction Force:3~30N
 Life Test:5000 Cycles Min.
 Operation Temperature Range:-20°C~+70°C
 Preservative Temperature Range:-40~+85°C
 RoHS Compliant

Pin Diameter	Item No.
Pin $\phi 1.0$	18578
Pin $\phi 1.3$	18577



△ Recommended P.C.B. Layout(Bottom View)
 Unspecified Tolerance:±0.05



△ DC Mate Plug

No.	Description	Q'ty	Material	Remark
①	Housing	1	PA66 △	Black
②	Center Pin	1	Copper Alloy	Nickel Plated
③	Center Pin Terminal	1	Brass	Tin Plated
④	Tip Spring	2	Stainless Steel △	Tin Plated
⑤	Shunt Terminal	3	Brass	Tin Plated

4UCON 元化興業股份有限公司
 4UCON TECHNOLOGY INC.

DRAWING No.		APPROVED BY		UNLESS OTHERWISE SPECIFIED TOLERANCES ARE △ X. ±0.3 .X ±0.3 .XX ±0.3 ANG. ±2°
18578		EMILY		
		CHECKED BY		
		HZF		
		DRAWING BY		
		SONG		
SCALE	NONE	REV.	A2	UNIT mm

NO.	REV.	REVISIONS	CHK	DATE
△ A2		Modify Data	HZF	12/19/2012
△ A1		Modify Data	HZF	08/19/2008
△ A0		NEW RELEASE	BECKY	05/22/2011