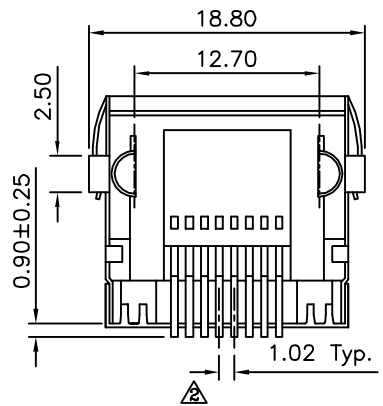
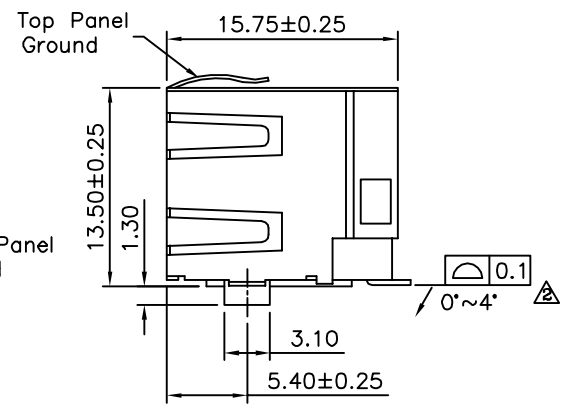
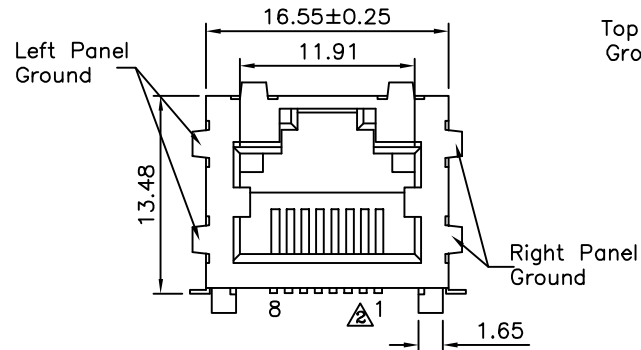


Recommended P.C.B. Layout

SPECIFICATION

Housing:PA9T(UL94V-0),Black
 Insert Housing:PA46(UL94V-0),Black
 Contacts:Phosphor Bronze
 Gold Plated 06u" On Contact Area,Gold
 Flash On Other Area,Over Nickel
 Shield:Copper Alloy,Nickel Plated
 Cavity Confirms To FCC Rules And Regulations
 Part 68,Subpart F.
 Resistance To Solder Heat:250 Degrees C,10s Max.
 RoHS Compliant



4UCON 元化興業股份有限公司
 4UCON TECHNOLOGY INC.

DRAWING No.		APPROVED BY		UNLESS OTHERWISE SPECIFIED TOLERANCES ARE △ .X ±0.25 .XX ±0.20 .XXX ±0.10
18648		MEI		
		CHECKED BY		
		HZF		
		DRAWING BY		
		SONG		
SCALE	NONE	REV.	A2	UNIT
				mm

NO.	REV.	REVISIONS	CHK	DATE
△ A2		Modify Data	HZF	01/18/2012
△ A1		Modify Data	INGRID	02/20/2008
△ A0		NEW RELEASE	SHIN	01/02/2007