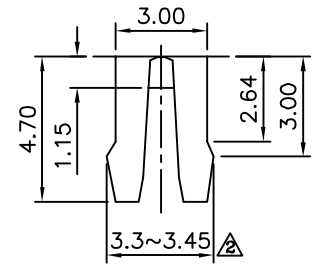
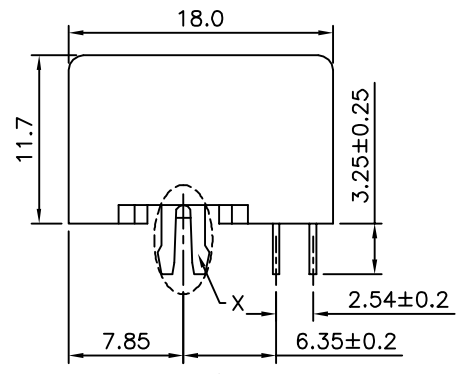
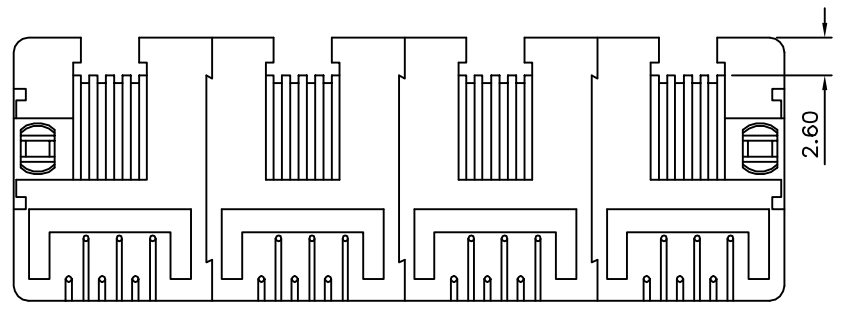
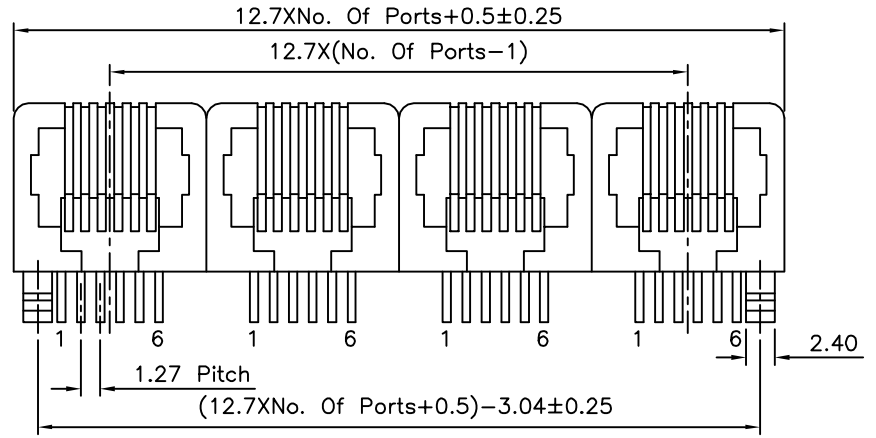


Recommended P.C.B. Layout



Detail X

**△ SPECIFICATION**  
 Housing:PBT+G.F.(UL94V-0),Black  
 Contacts:Phosphor Bronze  
 Gold Plated 06u" Over All,Over Nickel  
 Cavity Confirms To FCC Rules And Regulations  
 Part 68,Subpart F.  
 RoHS Compliant

**4UCON** 元化興業股份有限公司  
 4UCON TECHNOLOGY INC.

DRAWING No.		APPROVED BY		UNLESS OTHERWISE SPECIFIED TOLERANCES ARE .X ±0.25 .XX ±0.13 .XXX ±0.05 ANG. ±0.5°
18681		EMILY		
		CHECKED BY		
		HZF		
		DRAWING BY		
		SONG		
SCALE	NONE	REV.	A2	UNIT
				mm

NO.	REV.	REVISIONS	CHK	DATE
△A2		Modify Data	HZF	03/14/2014
△A1		Modify Data	HZF	08/13/2007
△A0		NEW RELEASE		