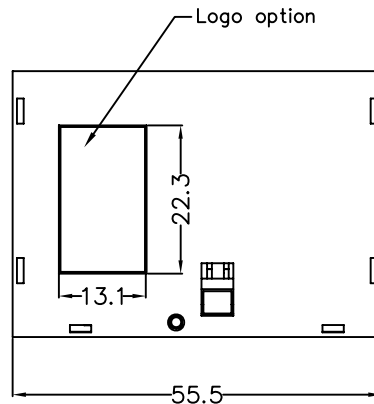
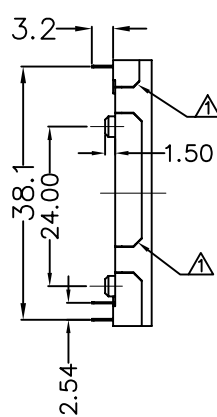
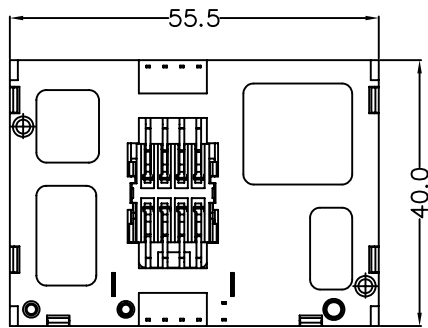
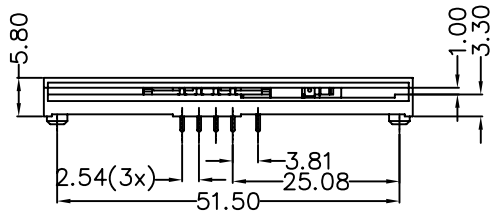
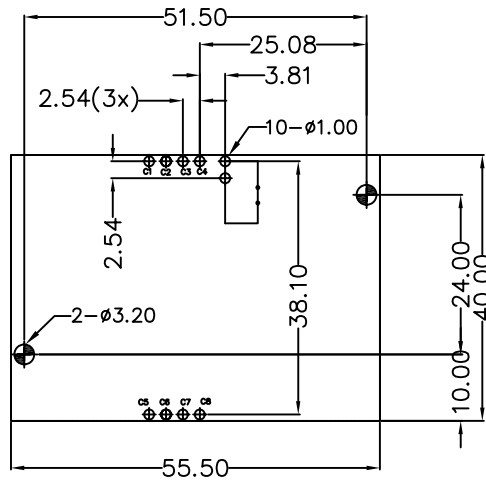
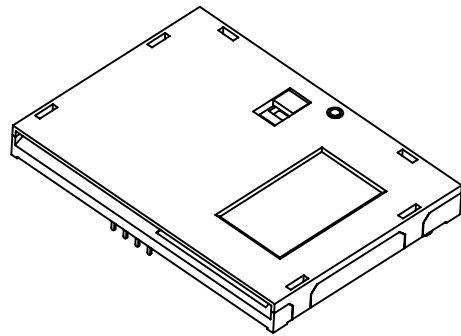


Specification :

1. General Information
 - . Contact Principle: Landing Technology
 - . Mounting Type: Dip Type
 - . Switch: Blade Contact, Normal Close
 - . Durability: Insert And Withdraw Card For 200,000 Cycles At Maximum Rate Of 600 Cycles Per Hours
 - . Material:
 - Data Contact: Copper Alloy
 - Insulator: Thermoplastic, UL94V-0
 - . Rating Voltage: 30V AC
 - . Current Rating: 1A Max, 10uA Min
 - . Plating:
 - Gold Plated On Contact Area
 - Tin Plated On Terminal Area
2. Electrical Specification
 - . Contact Resistance: 50m Ohms Max
 - . Insulator Resistance: 1000 M Ohms Min
 - . Dielectrical Withstanding Voltage: 500V AC R.M.S. Min (Sea Level)
3. Mechanical Specification
 - . Card Insertion Force: 12N Max
 - . Card Withdrawal Force: 1N Min
 - . Normal Contact Force : 0.2N~0.6N
4. Environmental Specification
 - . Operating Temperature: -20°C~+70°C
 - . Operating Humidity: 20%~95% RH
 - . Solderability: Wave Soldering : 260°C, 5 Sec Max
Manual Soldering: 360°C, 3 Sec Max.
 - . RoHS Compliant



4UCON 元化興業股份有限公司
4UCON TECHNOLOGY INC.

DRAWING No.
18685

APPROVED BY MEI
CHECKED BY LHC
DRAWING BY XSH 07/05-2007

UNLESS OTHERWISE SPECIFIED TOLERANCES ARE
.X ±0.38
.XX ±0.25
ANG. ±1°

SCALE NONE

REV. A1

UNIT mm



△ A1	ADD CHAMFER	XSH	07/05-2007
△ A0	NEW RELEASE	XSH	05/14-2007
NO. REV.	REVISIONS	CHK	DATE