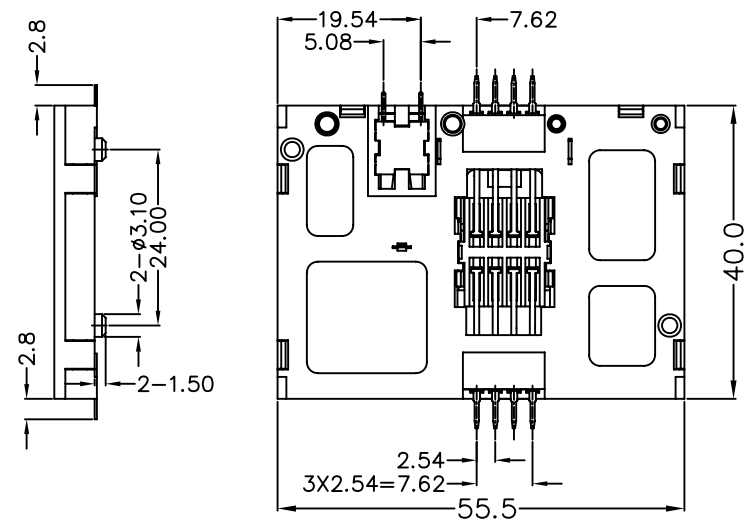
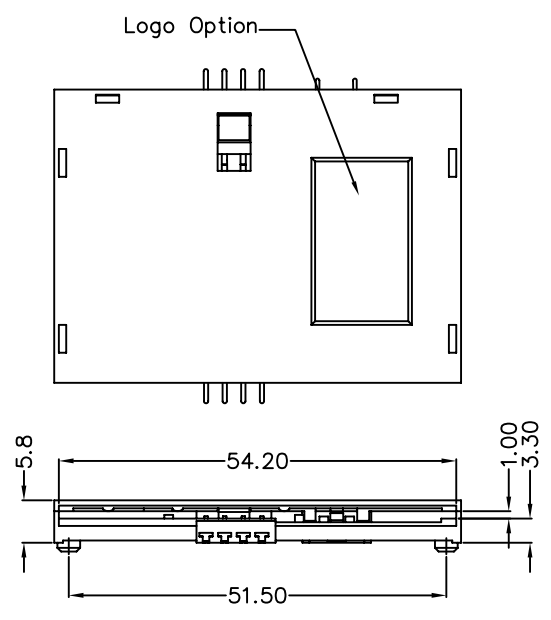


Reference P.C.B. Layout(Tolerance: .XX±0.10mm)



Specifications :

- 1.General Information
    - . Contact Principle:Landing Technology
    - . Mounting Type: SMT
    - . Switch: Tact Switch Type
    - . Durability: Insert And Withdraw Card For 200,000 Cycles At Maximum Rate Of 600 Cycles Per Hours
    - . Material:
      - Data Contact: Copper Alloy
      - Insulator: Thermoplastic,UL94V-0
    - . Rating Voltage: 30V AC
    - . Current Rating: 1A Max,10uA Min
    - . Plating: Gold Plated On Contact Area  
Tin Plated On Terminal Area
  2. Electrical Specification
    - . Contact Resistance: 50m Ohms Max
    - . Insulator Resistance: 1000M Ohms Min
    - . Dielectrical Withstanding Voltage:500V AC R.M.S.Min(Sea Level)
  3. Mechanical Specification
    - . Card Insertion Force: 15N Max
    - . Card Withdrawal Force: 1N Min
    - . Contact Force : 0.2N~0.6N
  4. Environmental Specification
    - . Operating Temperature: -20°C~+70°C
    - . Operating Humidity: 20%~95% RH
    - . Solderability: 1) Vapor Phase : 215°C, 30 Sec Max.  
2) IR Re-Flow : 260°C, 15 Sec Max.  
3) Manual Soldering: 360°C, 3 Sec Max.
- .RoHS Compliant

**4UCON** 元化興業股份有限公司  
4UCON TECHNOLOGY INC.

DRAWING No.		APPROVED BY		UNLESS OTHERWISE SPECIFIED TOLERANCES ARE .X ±0.38 .XX ±0.25 ANG. ±1°
18686		MEI		
		CHECKED BY LHC		
		DRAWING BY XSH 03/27-2007		
SCALE	NONE	REV.	A0	UNIT mm

△ A0	NEW RELEASE	XSH	03/27-2007
NO.REV.	REVISIONS	CHK	DATE