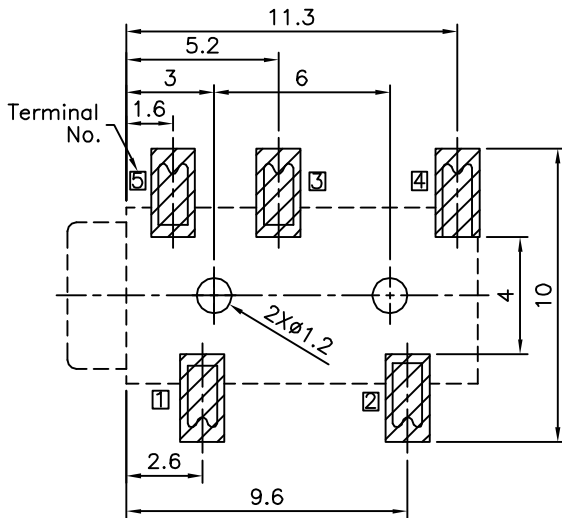
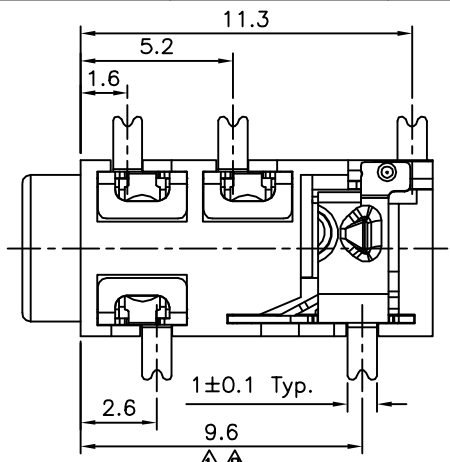
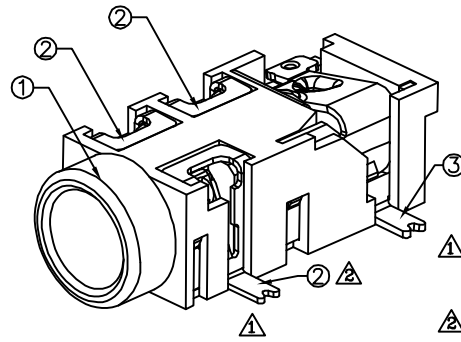
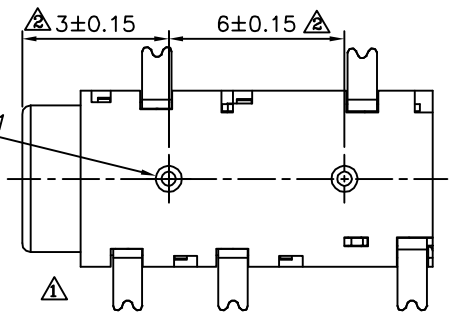
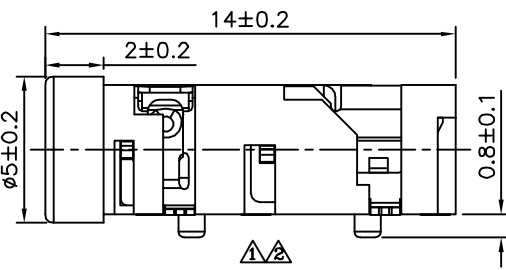
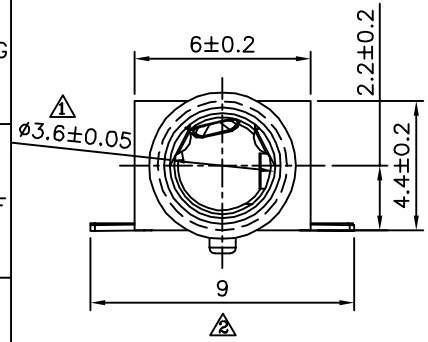
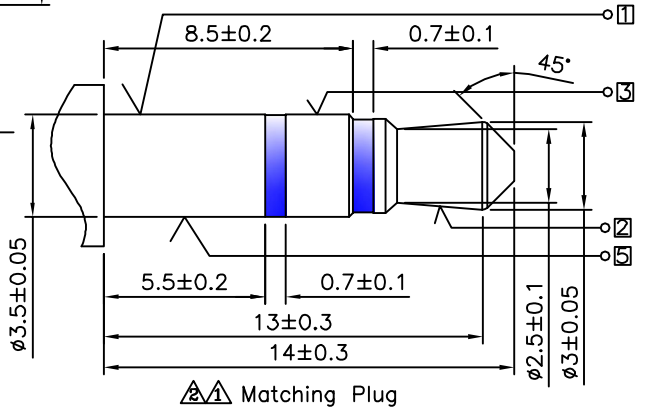


**△ SPECIFICATION**

△ Rating:DC 30V 0.5A  
 Withstand Voltage:500V AC  
 Contact Resistance:30 Milliohms Max.  
 After Treset:50 Milliohms Max.  
 Insulation Resistance:100 Megaohms Min.(DC 500V)  
 After Test:50 Megaohms Min.  
 Insertion And Extraction Force:3~30N  
 Life Test:5000 Cycles Min.  
 Operation Temperature Range:-20°C~+70°C  
 Preservative Temperature Range:-40°C~+85°C  
 RoHS Compliant

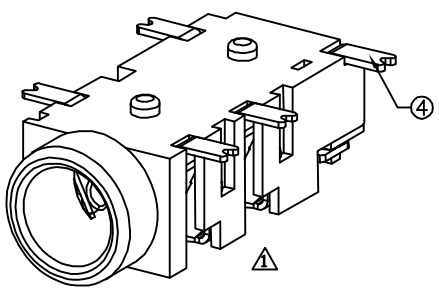


△ Recommended P.C.B. Layout(Top View)  
 Unspecified Tolerance:±0.05 △



No.	Description	Qty	Material	Remark
④	Shunt Terminal	1	Phosphor Bronze	Silver Plated
③	Tip Spring	1	Beryllium Bronze	Silver Plated
②	Ring Spring	3	Phosphor Bronze	Silver Plated
①	Housing	1	LCP	Black
△	No. Description	Q'ty	Material	Remark

Model No.	18728
Schematic	



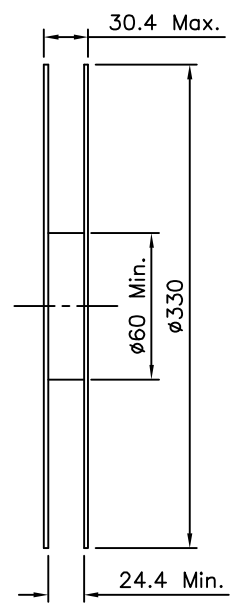
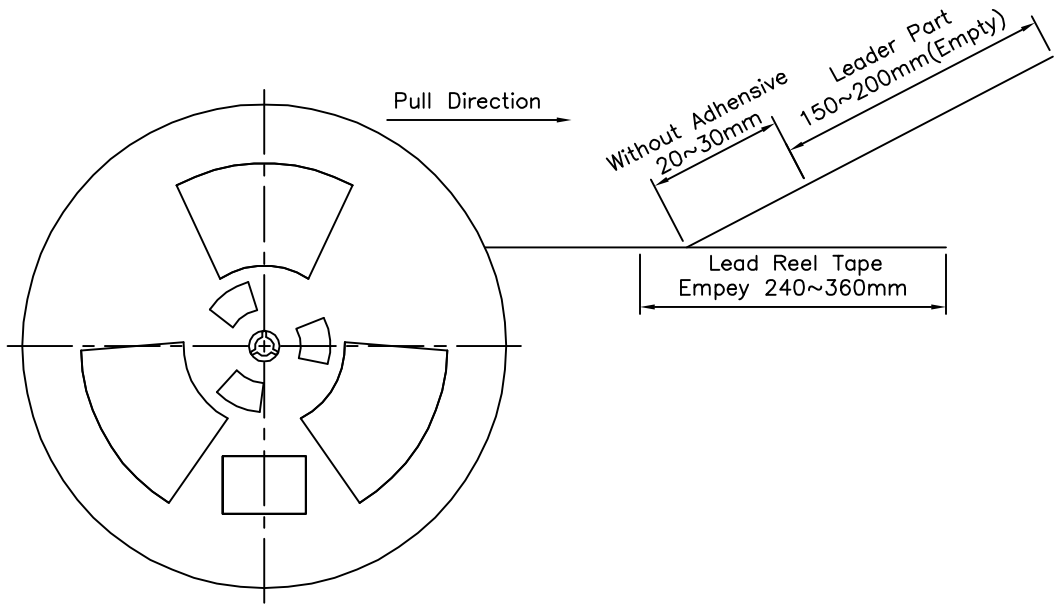
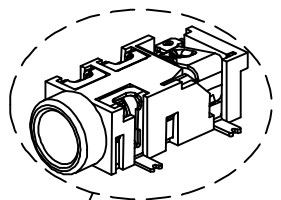
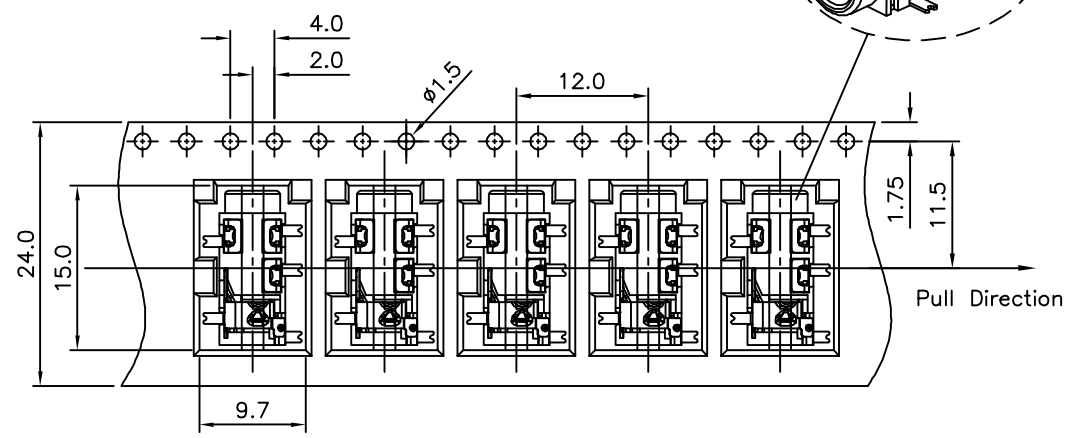
**4UCON** 元化興業股份有限公司  
 4UCON TECHNOLOGY INC.

DRAWING No.		APPROVED BY		UNLESS OTHERWISE SPECIFIED TOLERANCES ARE X. ±0.3 .X ±0.3 .XX ±0.3 ANG. ±2°				
18728		MEI			△ A2	Modify Data	HZF	06/15/2013
		HZF			△ A1	Modify Data	HZF	07/29/2009
SCALE		REV.		DRAWING BY		NO. REV.		
NONE		A2		SONG		REVISIONS		
				UNIT mm		CHK		
						DATE		



**SPECIFICATION**

- 1) The Connector Can Not Be Loaded On The Position Of Length 240~360mm In The Reel Tape And Lead Tape. The Cover Tape With 20~30mm Length Shall Not Be Adhesive On The Lead Tape And The Cover Tape Is Lead Portion Shall Have 150~200mm Length
  - 2) After Winding, Using The Adhesive Tape (30~50mm) To Stick The Leader Of Cover Tape On The Side Of Reel
  - 3) One Reel Can Be Loaded 1000 PCS Connector
  - 4) Condition Of 300mm Per Minute, The Extraction Strength Of Cover Tape Shall Reach 20~150 gf
- RoHS Compliant



**4UCON** 元化興業股份有限公司  
4UCON TECHNOLOGY INC.

DRAWING No.		APPROVED BY		UNLESS OTHERWISE SPECIFIED TOLERANCES ARE .X ±0.38 .XX ±0.25 ANG.
18728		MEI		
		CHECKED BY HZF		
		DRAWING BY SONG		
SCALE	NONE	REV.	A2	UNIT mm

NO.	REV.	REVISIONS	CHK	DATE
△A2		Modify Data	HZF	06/15/2013
△A1		Modify Data	HZF	07/29/2009
△A0		NEW RELEASE	HZF	04/18/2007