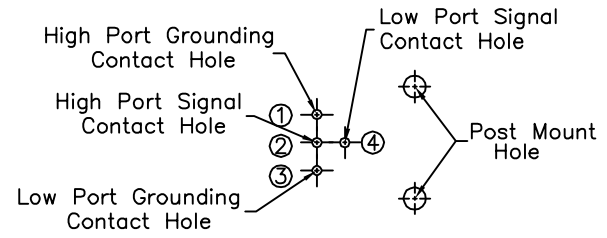
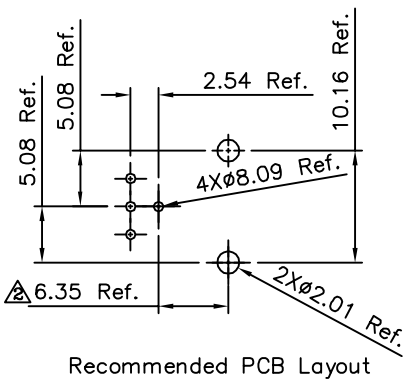
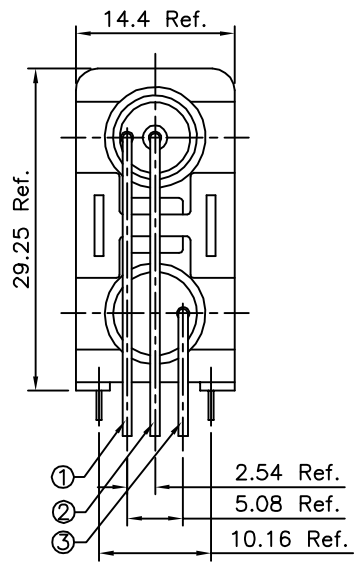
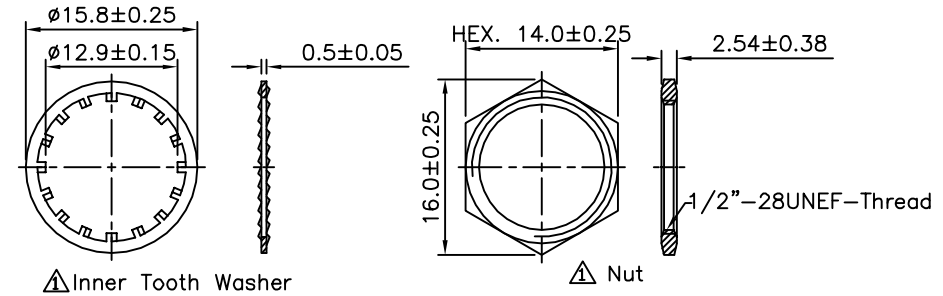
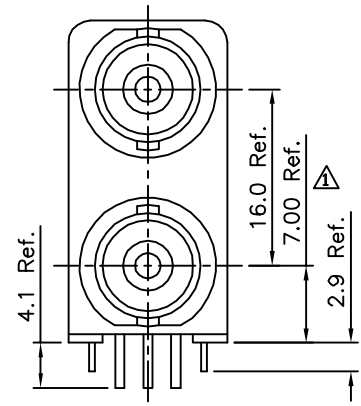
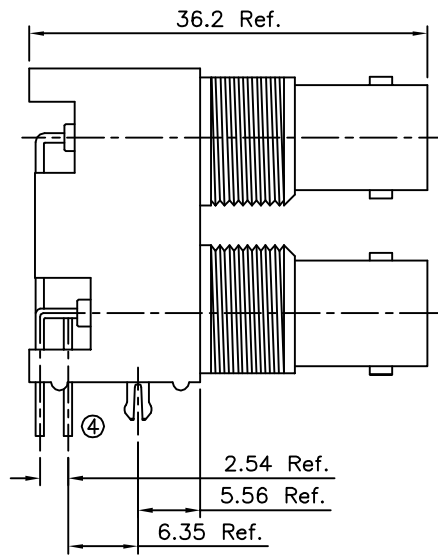
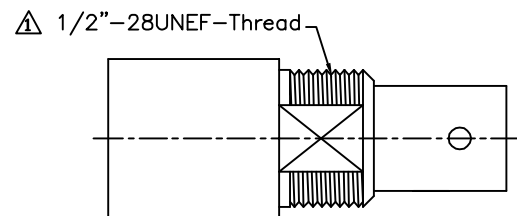


SPECIFICATION

Frequency Range: 0~1 GHz
 Operating Voltage: 500V RMS
 Dielectric Withstanding Voltage: 1500V RMS
 Contact Resistance: 3.0 Milliohms Max. (Gold)
 Insulation Resistance: 5000 Megaohms Min.
 Temperature Range: -65°C~+165°C
 Nominal Impedance: 50 Ohms
 Mating/Unmating: 500 Cycles
 Thermal Shock-MIL-STD-202, Method 107, Gond.B.
 Physical Shock-MIL-STD-202, Method 204, Gond.B.
 Inner Tooth Washer: S50C, Nickel Plated
 Nut: Brass, Nickel Plated
 RoHS Compliant



Item	Description	Material & Finish
1	Housing	PBT+30%G.F., UL94V-0
2	Conn. Body	Zinc Alloy, Nickel Plated Over All
3	Center Contact	Phosphorus Bronze, Gold Plated On Contact Area, Tin Plated On Solder Tails, Over Nickel
4	Insulator	Polypropylene UL94-HB
5	Grounding Terminal	Copper Plated Steel, Tin Plated
6	Mounting Hook	Brass, Tin Plated Over All

4UCON 元化興業股份有限公司
 4UCON TECHNOLOGY INC.

DRAWING No.		APPROVED BY		UNLESS OTHERWISE SPECIFIED TOLERANCES ARE .X ±0.38 .XX ±0.25 ANG.
18730		EMILY		
		CHECKED BY HZF		
		DRAWING BY CYP		
SCALE	NONE	REV.	A2	UNIT mm

NO.	REV.	REVISIONS	CHK	DATE
△A2		Modify Data	HZF	05/13/2015
△A1		Modify Data	HZF	02/24/2012
△A0		NEW RELEASE	INGRID	04/24/2007