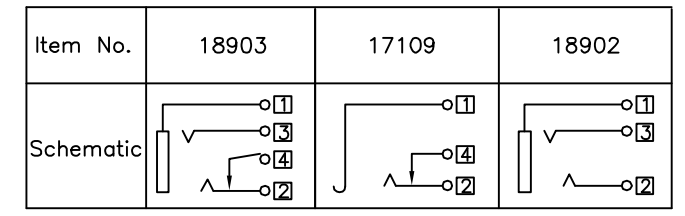


△△△ SPECIFICATION
 Rating: DC 30V 0.5A
 Contact Resistance: 30 Milliohms Max.
 After Test: 50 Milliohms Max.
 △ Insulation Resistance: 100 Megaohms Min. (DC 500V)
 After Test: 50 Megaohms Min.
 Withstand Voltage: 500V AC
 Insertion And Extraction Force: 3~30N
 Life Test: 5000 Cycles Min.
 Operation Temperature Range: -20°C~+70°C
 Preservative Temperature Range: -40°C~+85°C
 RoHS Compliant

△△△ Circuit Diagram



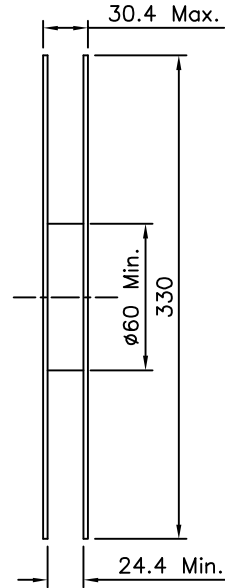
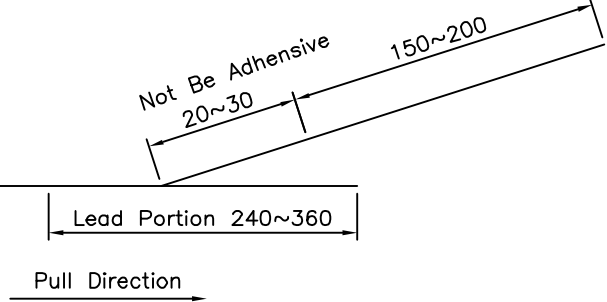
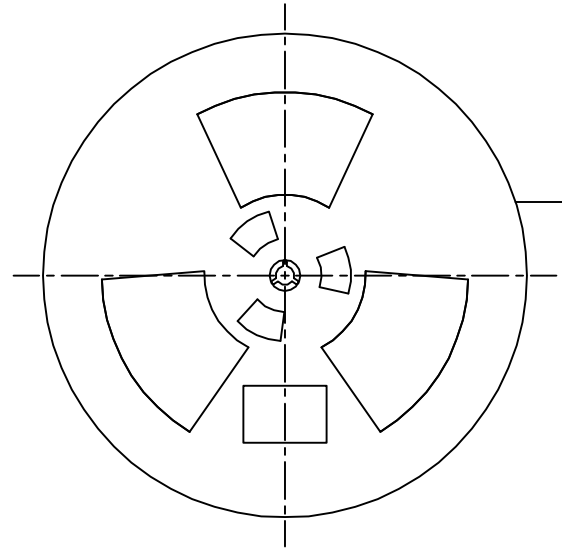
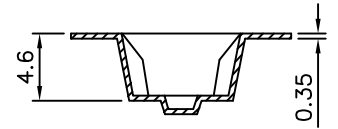
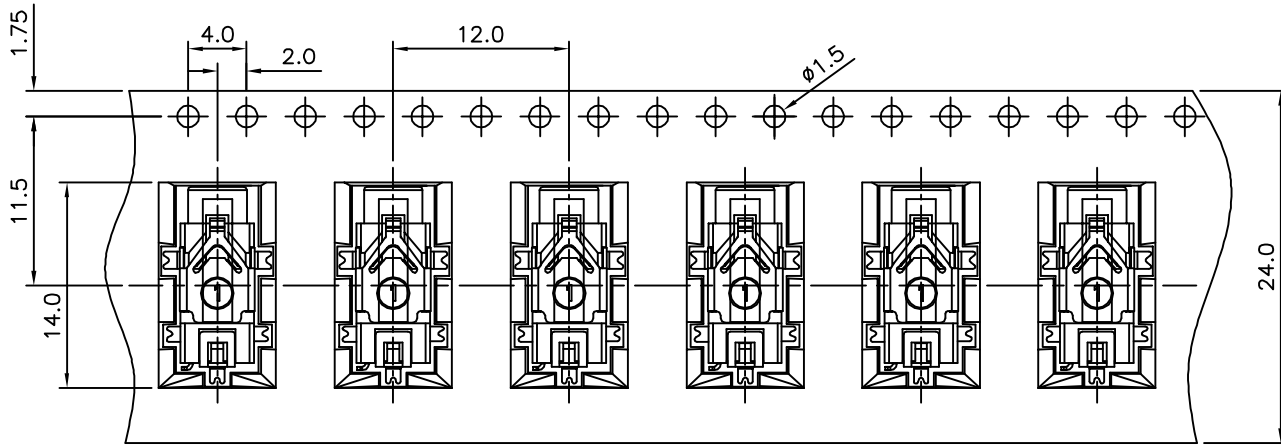
□: Terminal No. ○: Item No.

⑤	Shunt Terminal	④	1	Copper Alloy	Gold Plated
④	Ring Spring	③	1	Copper Alloy	Gold Plated
③	Tip Spring	②	1	Copper Alloy	Gold Plated
②	Earth Spring	①	1	Copper Alloy	Gold Plated
①	Housing		1	PA9T	Black
△	No. Description	Q'ty	Material	Material	

4UCON 元化興業股份有限公司
 4UCON TECHNOLOGY INC.

DRAWING No.		APPROVED BY		UNLESS OTHERWISE SPECIFIED TOLERANCES ARE △ .X ±0.50 X.* ±3.0° △ .XX ±0.30 .X.* ±1.5° △ .XXX ±0.15 .XX.* ±1.0°
18902		MEI		
		CHECKED BY HZF		
		DRAWING BY WSS		
SCALE	NONE	REV.	A3	UNIT mm

NO.	REV.	REVISIONS	CHK	DATE
△	A3	Modify Data	HZF	10/13/2011
△	A2	Modify Data	HZF	12/20/2010
△	A1	Modify Data	HZF	07/25/2009
△	A0	NEW RELEASE	BECKY	06/14/2005



SPECIFICATION

- 1.0 The Connector Can Not Be Loaded On The Position Of Length 240~360mm In The Reel Tape And Lead Tape. The Cover Tape With 20~30mm Length Shall Not Be Adhesive On The Lead Tape And The Cover Tape Its Lead Portion Shall Have 150~200mm Length
 - 2.0 Tape Shall Turn On Right Direction
 - 3.0 The Direction Of Connector Is Fixed Regarding The Position Of Terminal, Please Refer Outline Drawing
 - 4.0 After Winding, Using The Adhesive Tape (30~50mm) To Stick The Leader Of Cover Tape On The Side Of Reel
 - 5.0 One Reel Can Be Loaded 1000 PCS Connector
 - 6.0 The Label Shall Be Pasted On The Front Side Of Reel
 - 7.0 Condition Of 300mm Per Minute, The Extraction Strength Of Cover Tape Shall Reach 20~150 gf
- RoHS Compliant

4UCON 元化興業股份有限公司
4UCON TECHNOLOGY INC.

DRAWING No.		APPROVED BY		UNLESS OTHERWISE SPECIFIED TOLERANCES ARE .X ±0.38 .XX ±0.25 ANG.
18902		MEI		
		CHECKED BY	HZF	
		DRAWING BY	WSS	
SCALE	NONE	REV.	A3	UNIT mm

NO. REV.	REVISIONS	CHK	DATE
A3	Modify Data	HZF	10/13/2011
A2	Modify Data	HZF	12/20/2010
A1	Modify Data	HZF	07/25/2009
A0	NEW RELEASE	BECKY	06/14/2005