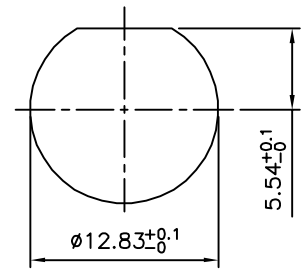
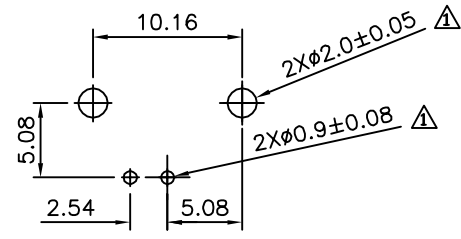


△△ SPECIFICATION

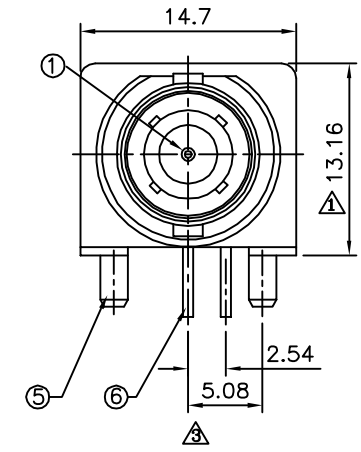
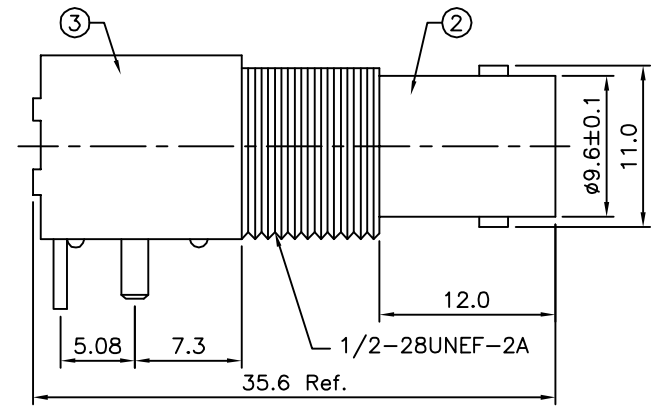
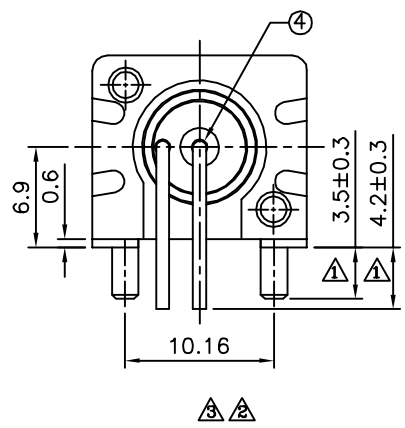
- ① Center Contact: Phosphor Bronze, Gold Plated
Over Nickel
 - ② Body: Zinc Alloy, Nickel Plated
 - ③ Housing: PBT (UL94V-0)
 - ④ Insulator: PE-606, White
 - △⑤ Mounting Post: Brass, Tin Plated
 - ⑥ Solder Tail: Copper Wire, Tin Plated
- RoHS Compliant



Recommended Mounting Hole
Maximum Panel Thickness: 5.5mm



Recommended PC Board Layout
Without Mounting Posts



4UCON 元化興業股份有限公司
4UCON TECHNOLOGY INC.

DRAWING No.		APPROVED BY		UNLESS OTHERWISE SPECIFIED TOLERANCES ARE X. ±0.5 .X ±0.3 .XX ±0.2 ANG. ±3°
19110		MEI		
		HZF		
		DRAWING BY		UNIT mm
		SONG		
SCALE	NONE	REV.	A3	NO. REV.

△A3	Modify Data	HZF	04/14/2012
△A2	Modify Data	HZF	03/31/2011
△A1	Modify Data	HZF	01/05/2011
△A0	NEW RELEASE	SHIN	02/02/2007
NO. REV.	REVISIONS	CHK	DATE