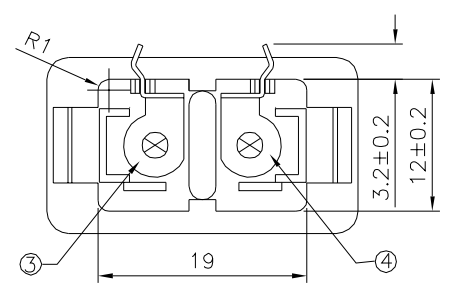
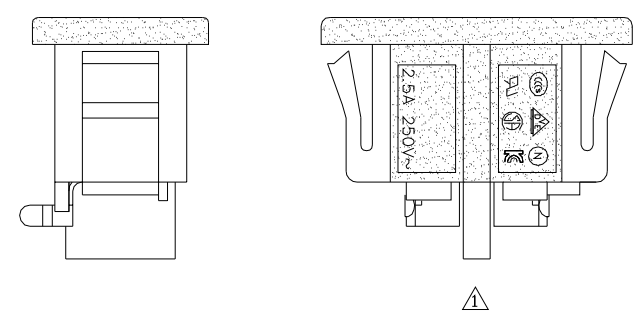
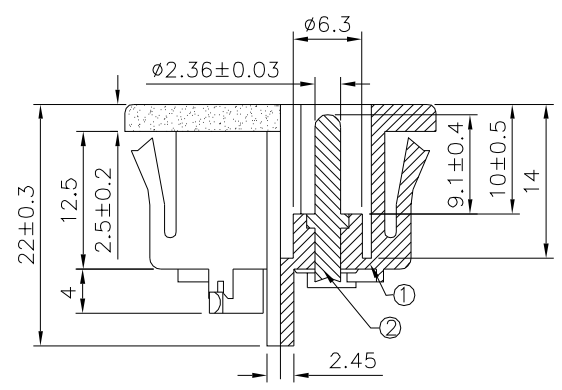


△ SPECIFICATION
 Rating: 2.5A 250V AC
 Approvals: UL/CSA/VDE/NEMKO/CCC/KTL
 RoHS Compliant



| No. | Name | Material | Remark | Q'ty |
|-----|-------------------|----------|---------------|------|
| ① | Body Insulator | PC | Black | 1 |
| ② | Solid Contact Pin | Brass | Nickel Plated | 2 |
| ③ | Contact Pin-L | Brass | Tin Plated | 1 |
| ④ | Contact Pin-R | Brass | Tin Plated | 1 |

4UCON 元化興業股份有限公司
 4UCON TECHNOLOGY INC.

| | | | | |
|---------------|------|-------------|----|---|
| DRAWING No. △ | | APPROVED BY | | UNLESS OTHERWISE SPECIFIED TOLERANCES ARE X. ±0.4 .X ±0.3 .XX ±0.1 ANG. ±1° |
| 19149 | | MEI | | |
| | | CHECKED BY | | |
| | | HZF | | |
| | | DRAWING BY | | |
| | | CYP | | |
| SCALE | NONE | REV. | A1 | UNIT |
| | | | | mm |

| | | | |
|----------|-------------|-----|------------|
| △ A1 | Modify Data | HZF | 02/23/2019 |
| △ A0 | NEW RELEASE | HZF | 03/11/2008 |
| NO. REV. | REVISIONS | CHK | DATE |