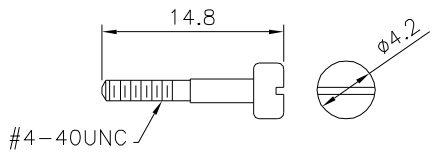
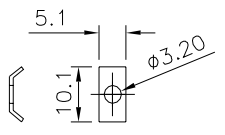
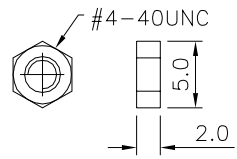
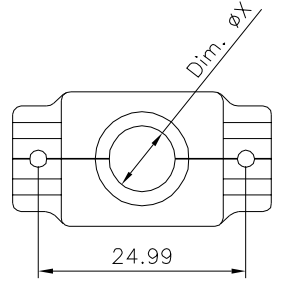
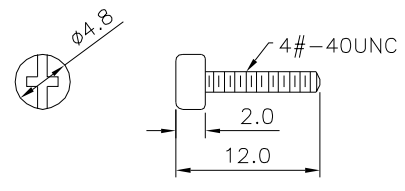
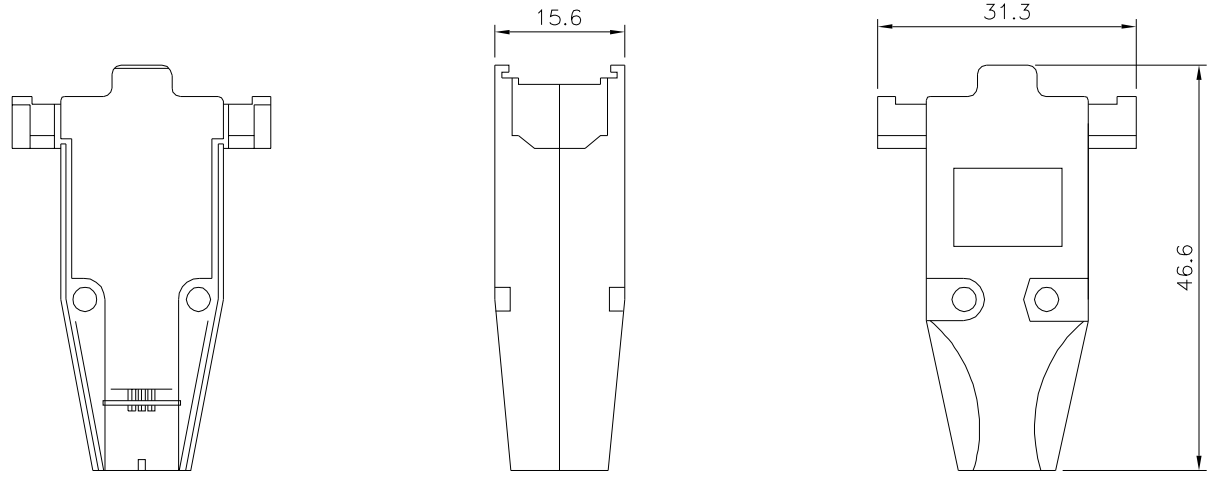


SPECIFICATION

Material: Zinc Alloy, Nickel Plated
 Screw: Steel, Nickel Plated
 RoHS Compliant

Dim. X	Item No.
7.0mm	03404
9.5mm	19360



4UCON 元化興業股份有限公司
 4UCON TECHNOLOGY INC.

DRAWING No.		APPROVED BY		UNLESS OTHERWISE SPECIFIED TOLERANCES ARE X. ±0.5 .X ±0.3 .XX ±0.2 ANG. ±5°
19360		MEI		
		HZF		
		DRAWING BY		
		CYP		
SCALE	NONE	REV.	B0	UNIT mm

NO.	REV.	REVISIONS	CHK	DATE
△	B0	NEW RELEASE	HZF	03/25/2017